

CANOPUS

NEW



... dustproof, waterproof, for high ceilings.

USE

The light fitting is suitable for large operations with high ceilings, industrial outdoor and indoor roofed spaces, warehouses, workshops, sports areas, transport terminals and utility structures without a danger of explosion of gas, dust and combustible fumes.

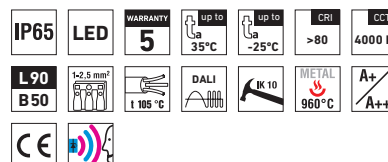
The light fitting is resistant to deformation, dust and splashing water.

Characteristics of the used tempered glass and its shattering power are controlled by the ČSN EN 12150-1 standard. For applications where spontaneous fracture means a higher safety risk, we recommend to use the version with the safety film (SF).

ADVANTAGES

- Light fitting protection **IP65**
- Maximum ambient temperature up to **$t_a = 35^\circ\text{C}$**
- Lifetime: 50,000 hours / L90B50
- Diffuser: satinized or transparent tempered safety glass
- Body: steel sheet, white colour (RAL 9003) = high mechanical resistance
- Up to 45 % lower electricity consumption when compared to tubes T5
- In DALI version possibility of constant luminous flux for whole lifetime (CLO)
- Constant luminous flux even in ambient temperature of -25°C

- Standard model - CRI > 80: 4000 K
- At request CRI > 80: 3000 K, 5000 K, 6500 K, CRI > 90: 3000 K, 4000 K
- It can be delivered in dimmable version
- Easy installation with the help of supply connector with cable 0,4 m CYSY 3 x 1.5, without necessity of opening the light fitting
- Certification: ESC

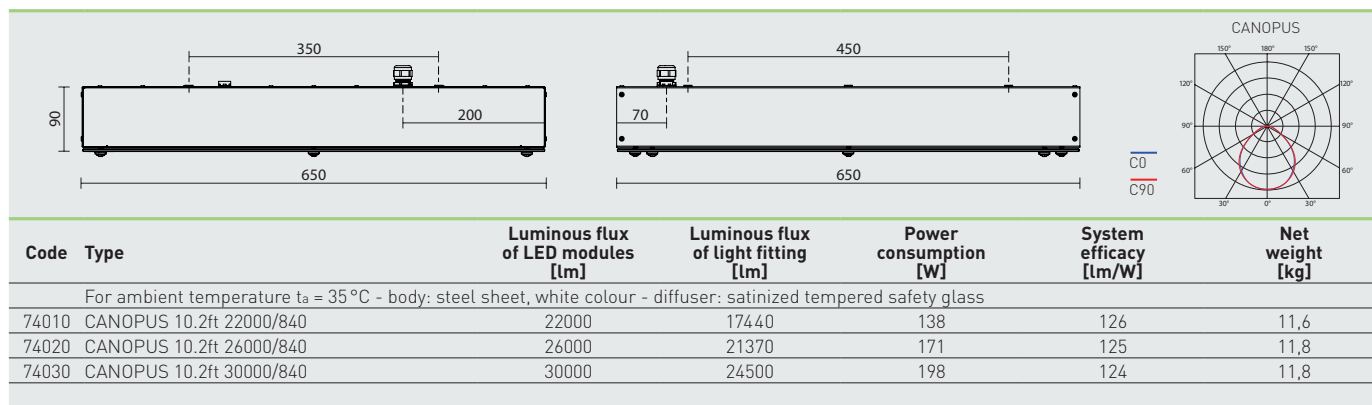


CANOPUS



TECHNICAL DESCRIPTION

- Light fitting protection: IP65
- Maximum ambient temperature: $t_a = 35^\circ\text{C}$
- Maximum system efficacy: 126 lm/W
- The watt and lumen values can vary by $\pm 7,5\%$
- Standard model - CRI > 80: 4000 K
- Lifetime: 50,000 hours / L90B50
- Diffuser: satinized tempered safety glass
- Body: steel sheet, white colour (RAL 9003), impact-resistant
- Ventilation plug: type BVPB-01 made of polyamide, size M12 \times 1.5
- Sealing: EPDM attached to light fitting body
- Terminal block: interconnecting connector, 0.4 m cable
- Installation: all versions delivered including suspension lugs (4 pcs)
- Electric equipment: LED modules, current driver or current driver DALI



CANOPUS

Diffuser satinized tempered safety glass

Code	Type	M1h	M3h	DALI	DALI M1h	DALI M3h
74010	CANOPUS 10.2ft 22000/840	x	x	74016	x	x
74020	CANOPUS 10.2ft 26000/840	x	x	74026	x	x
74030	CANOPUS 10.2ft 30000/840	x	x	74036	x	x

Example of type marking: 74036 = CANOPUS 10.2ft 30000/840 DALI

LEGEND

DALI – version with digital dimmable driver DALI

LIGHT FITTING ATTACHMENT

- By suspension on the ceiling with the help of cord suspenders
- With the help of ceiling holder directly on the ceiling
- With the help of adjustable holder directly on the ceiling or on the wall



LIGHT FITTING DETAILED VIEW

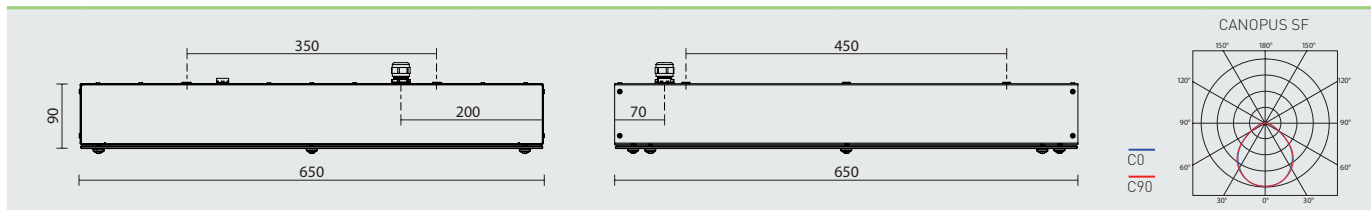


CANOPUS SF



TECHNICAL DESCRIPTION

- Light fitting protection: IP65
- Maximum ambient temperature: $t_a = 35^\circ\text{C}$
- Maximum system efficacy: 119 lm/W
- The watt and lumen values can vary by $\pm 7,5\%$
- Standard model - CRI > 80: 4000 K
- Lifetime: 50,000 hours / L90B50
- Diffuser: satinized tempered safety glass with safety film (SF)
- Body: steel sheet, white colour (RAL 9003), impact-resistant
- Ventilation plug: type BVPB-01 made of polyamide, size M12 x 1.5
- Sealing: EPDM attached to light fitting body
- Terminal block: interconnecting connector, 0.4 m cable
- Installation: all versions delivered including suspension lugs (4 pcs)
- Electric equipment: LED modules, current driver or current driver DALI



Code	Type	Luminous flux of LED modules [lm]	Luminous flux of light fitting [lm]	Power consumption [W]	System efficacy [lm/W]	Net weight [kg]
For ambient temperature $t_a = 35^\circ\text{C}$ - body: steel sheet, white colour - diffuser: satinized tempered safety glass with safety film (SF)						
74310	CANOPUS 10.2ft SF 22000/840	22000	16380	138	119	11,6
74320	CANOPUS 10.2ft SF 26000/840	26000	20080	171	117	11,8
74330	CANOPUS 10.2ft SF 30000/840	30000	22520	198	114	11,8

CANOPUS SF

Diffuser satinized tempered safety glass with safety film (SF)

Code	Type	M1h	M3h	DALI	DALI M1h	DALI M3h
74310	CANOPUS 10.2ft SF 22000/840	x	x	74316	x	x
74320	CANOPUS 10.2ft SF 26000/840	x	x	74326	x	x
74330	CANOPUS 10.2ft SF 30000/840	x	x	74336	x	x

Example of type marking: 74336 = CANOPUS 10.2ft SF 30000/840 DALI

LEGEND

DALI – version with digital dimmable driver DALI

SF – diffuser satinized tempered safety glass with protective film

LIGHT FITTING ATTACHMENT

- By suspension on the ceiling with the help of cord suspenders
- With the help of ceiling holder directly on the ceiling
- With the help of adjustable holder directly on the ceiling or on the wall



LIGHT FITTING DETAILED VIEW

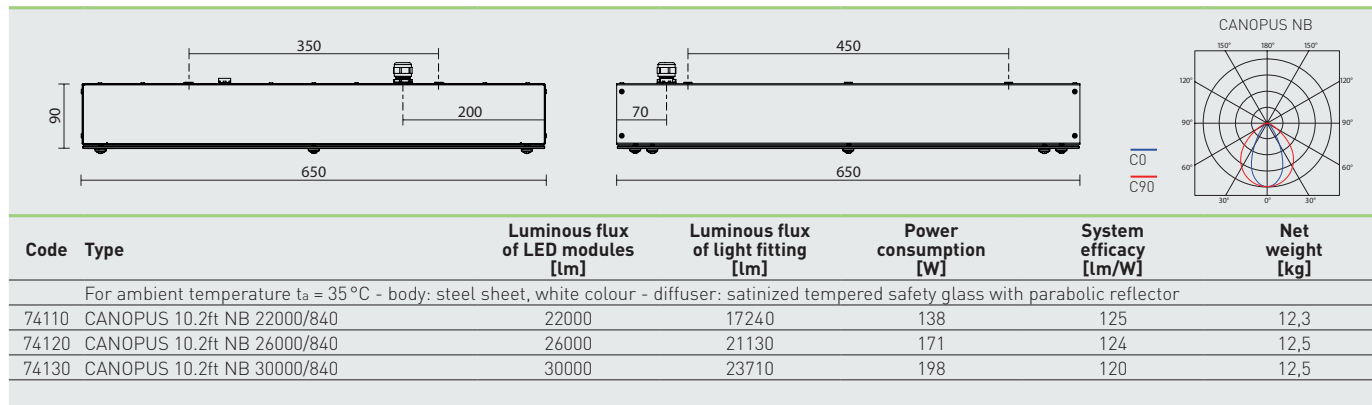


CANOPUS NB



TECHNICAL DESCRIPTION

- Light fitting protection: IP65
- Maximum ambient temperature: $t_a = 35^\circ\text{C}$
- Maximum system efficacy: 125 lm/W
- The watt and lumen values can vary by $\pm 7,5\%$
- Standard model - CRI > 80: 4000 K
- Lifetime: 50,000 hours / L90B50
- Diffuser: satinized tempered safety glass
- Reflector: parabolic polished aluminium with narrow emitting characteristics (NB - narrow beam)
- Body: steel sheet, white colour (RAL 9003), impact-resistant
- Ventilation plug: type BVPB-01 made of polyamide, size M12 \times 1.5
- Sealing: EPDM attached to light fitting body
- Terminal block: interconnecting connector, 0.4 m cable
- Installation: all versions delivered including suspension lugs (4 pcs)
- Electric equipment: LED modules, current driver or current driver DALI



CANOPUS NB

Diffuser satinized tempered safety glass with parabolic reflector

Code	Type	M1h	M3h	DALI	DALI M1h	DALI M3h
74110	CANOPUS 10.2ft NB 22000/840	x	x	74116	x	x
74120	CANOPUS 10.2ft NB 26000/840	x	x	74126	x	x
74130	CANOPUS 10.2ft NB 30000/840	x	x	74136	x	x

Example of type marking: 74136 = CANOPUS 10.2ft NB 30000/840 DALI

LEGEND

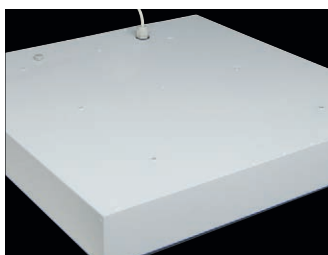
DALI - version with digital dimmable driver DALI

LIGHT FITTING ATTACHMENT

- By suspension on the ceiling with the help of cord suspenders
- With the help of ceiling holder directly on the ceiling
- With the help of adjustable holder directly on the ceiling or on the wall



LIGHT FITTING DETAILED VIEW

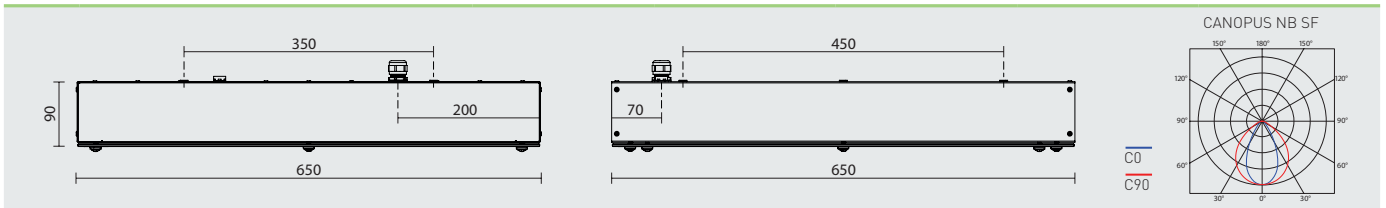


CANOPUS NB SF



TECHNICAL DESCRIPTION

- Light fitting protection: IP65
- Maximum ambient temperature: $t_a = 35^\circ\text{C}$
- Maximum system efficacy: 117 lm/W
- The watt and lumen values can vary by $\pm 7,5\%$
- Standard model - CRI > 80: 4000 K
- Lifetime: 50,000 hours / L90B50
- Diffuser: satinized tempered safety glass with safety film (SF)
- Reflector: parabolic polished aluminium with narrow emitting characteristics (NB - narrow beam)
- Body: steel sheet, white colour (RAL 9003), impact-resistant
- Ventilation plug: type BVPB-01 made of polyamide, size M12 \times 1.5
- Sealing: EPDM attached to light fitting body
- Terminal block: interconnecting connector, 0.4 m cable
- Installation: all versions delivered including suspension lugs (4 pcs)
- Electric equipment: LED modules, current driver or current driver DALI



Code	Type	Luminous flux of LED modules [lm]	Luminous flux of light fitting [lm]	Power consumption [W]	System efficacy [lm/W]	Net weight [kg]
For ambient temperature $t_a = 35^\circ\text{C}$ - body: steel sheet, white colour - diffuser: satinized tempered safety glass with safety film (SF) and parabolic reflector						
74410	CANOPUS 10.2ft NB SF 22000/840	22000	16190	138	117	12,3
74420	CANOPUS 10.2ft NB SF 26000/840	26000	19830	171	116	12,5
74430	CANOPUS 10.2ft NB SF 30000/840	30000	22260	198	112	12,5

CANOPUS NB SF

Diffuser satinized tempered safety glass with safety film (SF) and parabolic reflector

Code	Type	M1h	M3h	DALI	DALI M1h	DALI M3h
74410	CANOPUS 10.2ft NB SF 22000/840	x	x	74416	x	x
74420	CANOPUS 10.2ft NB SF 26000/840	x	x	74426	x	x
74430	CANOPUS 10.2ft NB SF 30000/840	x	x	74436	x	x

Example of type marking: 74436 = CANOPUS 10.2ft NB SF 30000/840 DALI

LEGEND

DALI - version with digital dimmable driver DALI

SF - diffuser satinized tempered safety glass with protective film

LIGHT FITTING ATTACHMENT

- By suspension on the ceiling with the help of cord suspenders
- With the help of ceiling holder directly on the ceiling
- With the help of adjustable holder directly on the ceiling or on the wall



LIGHT FITTING DETAILED VIEW

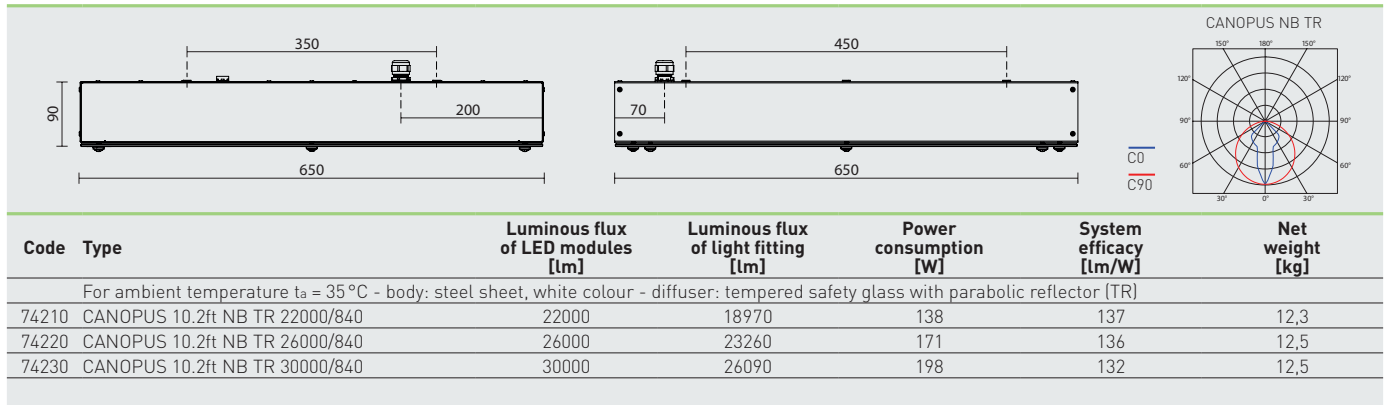


CANOPUS NB TR



TECHNICAL DESCRIPTION

- Light fitting protection: IP65
- Maximum ambient temperature: $t_a = 35^\circ\text{C}$
- Maximum system efficacy: 137 lm/W
- The watt and lumen values can vary by $\pm 7,5\%$
- Standard model - CRI > 80: 4000 K
- Lifetime: 50,000 hours / L90B50
- Diffuser: transparent tempered safety glass (TR)
- Reflector: parabolic polished aluminium with narrow emitting characteristics (NB - narrow beam)
- Body: steel sheet, white colour (RAL 9003), impact-resistant
- Ventilation plug: type BVPB-01 made of polyamide, size M12 \times 1.5
- Sealing: EPDM attached to light fitting body
- Terminal block: interconnecting connector, 0.4 m cable
- Installation: all versions delivered including suspension lugs (4 pcs)
- Electric equipment: LED modules, current driver or current driver DALI



CANOPUS NB TR

Diffuser tempered safety glass with parabolic reflector (TR)

Code	Type	M1h	M3h	DALI	DALI M1h	DALI M3h
74210	CANOPUS 10.2ft NB TR 22000/840	x	x	74216	x	x
74220	CANOPUS 10.2ft NB TR 26000/840	x	x	74226	x	x
74230	CANOPUS 10.2ft NB TR 30000/840	x	x	74236	x	x

Example of type marking: 74236 = CANOPUS 10.2ft NB TR 30000/840 DALI

LEGEND

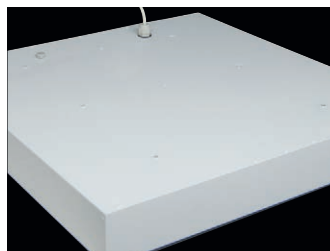
DALI – version with digital dimmable driver DALI

LIGHT FITTING ATTACHMENT

- By suspension on the ceiling with the help of cord suspenders
- With the help of ceiling holder directly on the ceiling
- With the help of adjustable holder directly on the ceiling or on the wall



LIGHT FITTING DETAILED VIEW

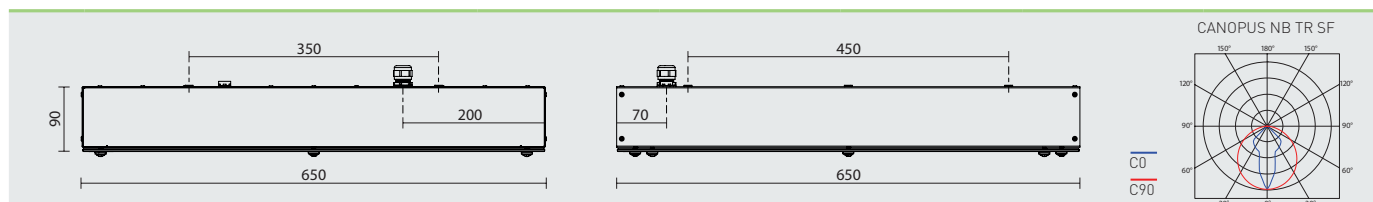


CANOPUS NB TR SF



TECHNICAL DESCRIPTION

- Light fitting protection: IP65
- Maximum ambient temperature: $t_a = 35^\circ\text{C}$
- Maximum system efficacy: 130 lm/W
- The watt and lumen values can vary by $\pm 7,5\%$
- Standard model - CRI > 80: 4000 K
- Lifetime: 50,000 hours / L90B50
- Diffuser: transparent tempered safety glass with safety film (TR SF)
- Reflector: parabolic polished aluminium with narrow emitting characteristics (NB - narrow beam)
- Body: steel sheet, white colour (RAL 9003), impact-resistant
- Ventilation plug: type BVPB-01 made of polyamide, size M12 \times 1.5
- Sealing: EPDM attached to light fitting body
- Terminal block: interconnecting connector, 0.4 m cable
- Installation: all versions delivered including suspension lugs (4 pcs)
- Electric equipment: LED modules, current driver or current driver DALI



Code	Type	Luminous flux of LED modules [lm]	Luminous flux of light fitting [lm]	Power consumption [W]	System efficacy [lm/W]	Net weight [kg]
For ambient temperature $t_a = 35^\circ\text{C}$ - body: steel sheet, white colour - diffuser: transparent tempered safety glass with safety film (TR SF) and parabolic reflector						
74510	CANOPUS 10.2ft NB TR SF 22000/840	22000	17920	138	130	12,3
74520	CANOPUS 10.2ft NB TR SF 26000/840	26000	21970	171	128	12,5
74530	CANOPUS 10.2ft NB TR SF 30000/840	30000	24650	198	124	12,5

CANOPUS NB TR SF

Diffuser transparent tempered safety glass with safety film (TR SF) and parabolic reflector

Code	Type	M1h	M3h	DALI	DALI M1h	DALI M3h
74510	CANOPUS 10.2ft NB TR SF 22000/840	x	x	74516	x	x
74520	CANOPUS 10.2ft NB TR SF 26000/840	x	x	74526	x	x
74530	CANOPUS 10.2ft NB TR SF 30000/840	x	x	74536	x	x

Example of type marking: 74536 = CANOPUS 10.2ft NB TR SF 30000/840 DALI

LEGEND

DALI - version with digital dimmable driver DALI

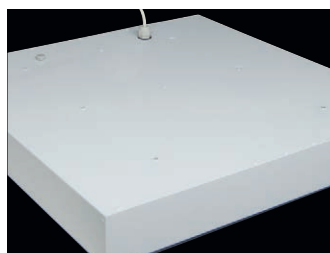
SF - diffuser transparent tempered safety glass with protective film

LIGHT FITTING ATTACHMENT

- By suspension on the ceiling with the help of cord suspenders
- With the help of ceiling holder directly on the ceiling
- With the help of adjustable holder directly on the ceiling or on the wall



LIGHT FITTING DETAILED VIEW



Ceiling holder

Serves to suspend the light fitting from the ceiling.



Code	Type	Description	Weight [kg]
50080	CANOPUS holder 1	Metal suspender for direct suspension from the ceiling. Screw M6 × 16 - 8 pcs for assembly.	2,3

Adjustable holder

Serves to suspend the light fitting on the wall, ceiling and skew surface, allows adjusting the light fitting from 0-90°, by 15°.



Code	Type	Description	Weight [kg]
50081	CANOPUS holder 2	Metal adjustable holder for the ceiling and for the wall. Adjustment by 15° in a range of 0-90°. Screw M6 × 16 - 8 pcs for assembly.	3,0

Chain suspender

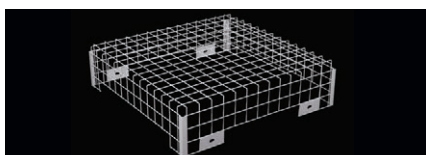
Serves to suspend the light fitting with the help of chains on a threaded rod or with the help of a lug on a hook.



Code	Type	Description	Weight [kg]
50082	CANOPUS suspender	Chain suspender with height 40 cm. [Suspender holder - 1 pc, lugs M6 - 4 pcs, snap-hooks - 4 pcs, chains - 4 pcs].	0,6

Protective grille

The metal grille protects the light fitting against mechanical damage and tampering. It is fixed on the ceiling holder of the light fitting. Surface finish with RAL 9003 powder coating.



Code	Type	Description	Weight [kg]
50083	CANOPUS protective grille	Metal protective grille with mesh size 50×50 mm. [Protective basket, 2 threaded rods M10, 4 closed nuts M10, 4 distance tubes IRS16, 4 washers M10].	3,6

Spare gasket

Spare gasket for service change / repair made by an authorized person.



Code	Type	Description	Weight [kg]
50084	CANOPUS spare gasket	Spare gasket (1 gasket, bonding cement).	0,1