

Entry /ECO

Standard /STD

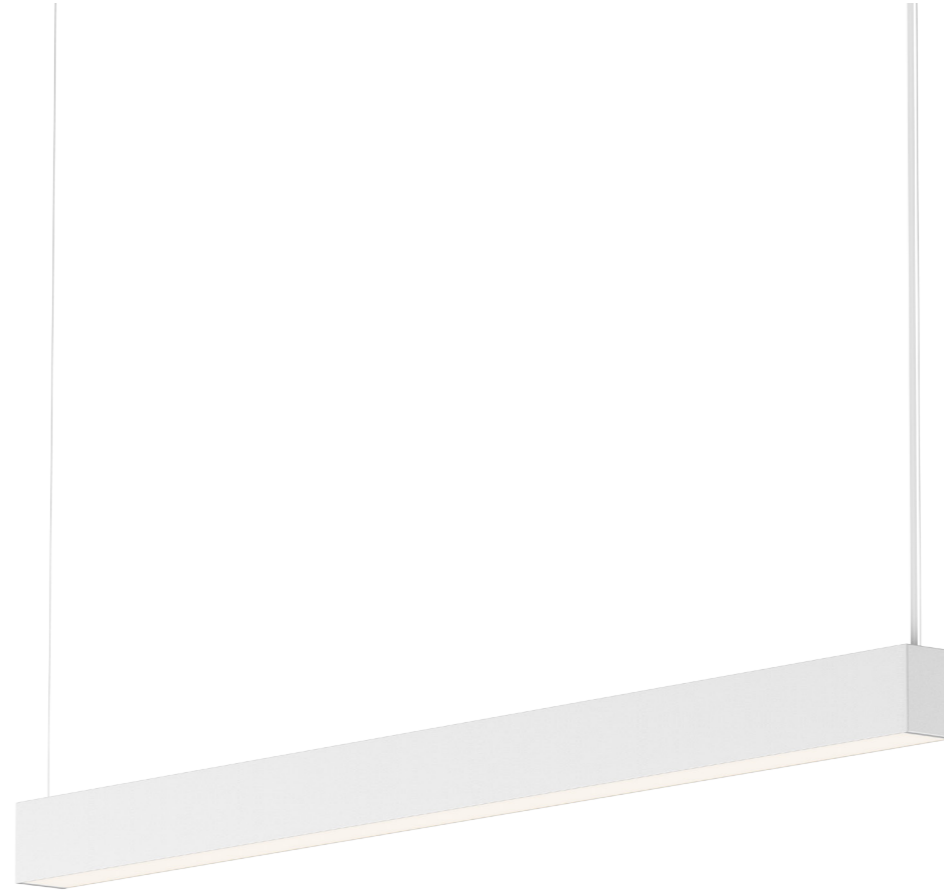
Professional/PRO

ODM & OEM

Intelligent/INT



ECO
Specifications



LED Linear
DB77A Series



Introduction

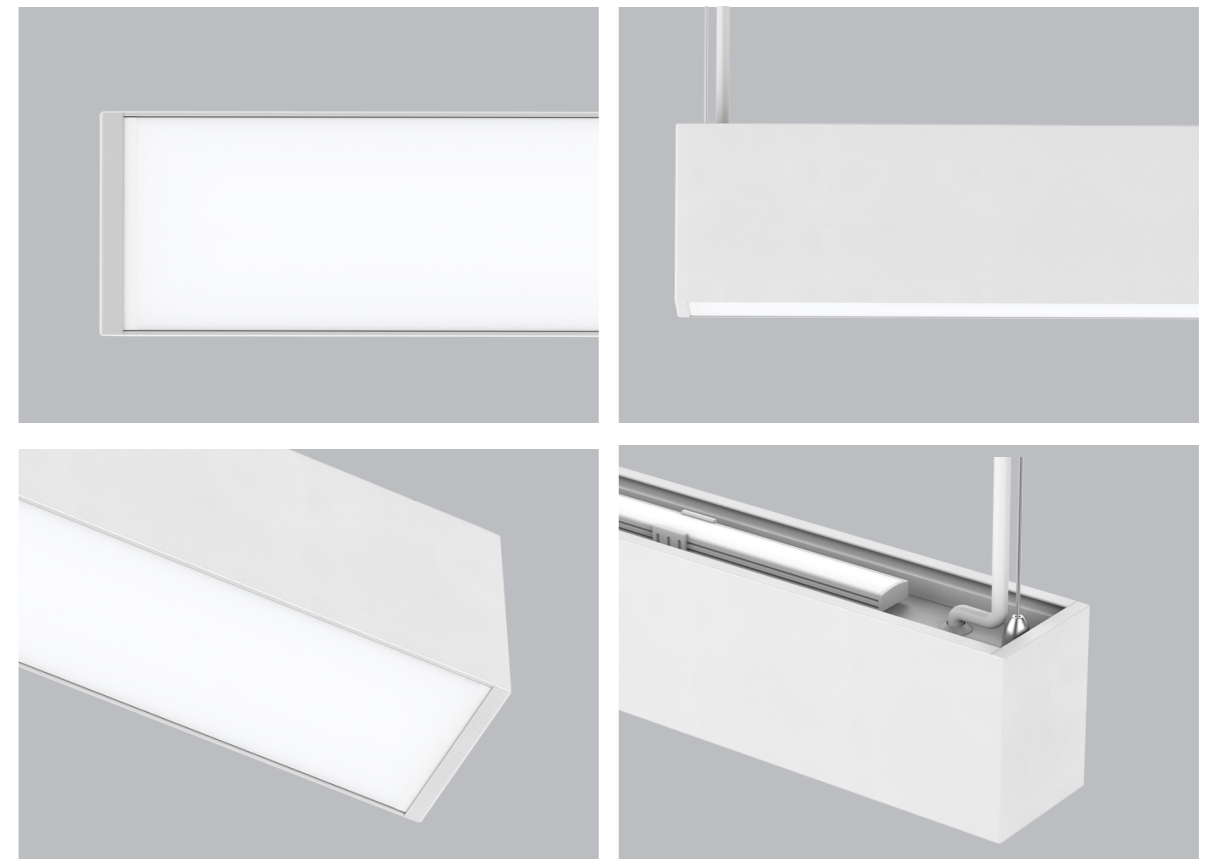
This linear fixture is a seamless splicing design with straight/corner/cross splicing connector, it can realize a very convenient connection with male and female plug. Adopt high lumen SMD light source, flicker free and high efficiency driver make a better lumen. Aluminum housing provides an excellent thermal management. Functions: Down lighting, up&down lighting, adjustable CCT, emergency and sensor. Mounting design: Pendant/surface mounted/wall mounted/recessed/Track. Modular design: Replaceable driver and emergency module.

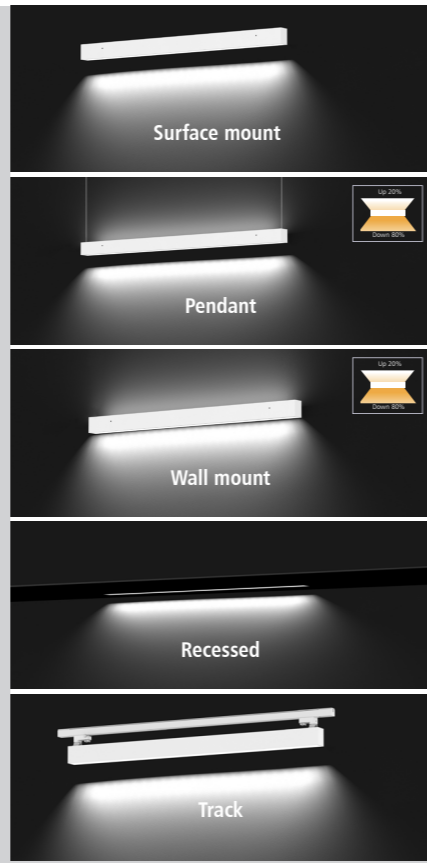
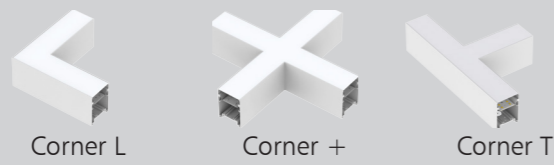
Features

- Multiple installation: Pendant/surface mounted/wall mounted/recessed/Track.
- Modular design with convenient replacement.
- High lumen efficiency.
- Interchangeable CCT(3000/4000/5700k) with slide switch.
- Non dim/DALI dim/1-10Vdim flicker free driver.
- With emergency and sensor function.
- Up and down light effect for wall mount and pendant installation.
- With Straight shape/'L' shape/'+' shape/'T' shape connectors, can do seamless splicing with DIY soft cover.

Application Areas

This linear fixture is widely used in shopping mall, office, car park, station, home.





Up & down lighting distribution by adding upward LED module



100% Downward



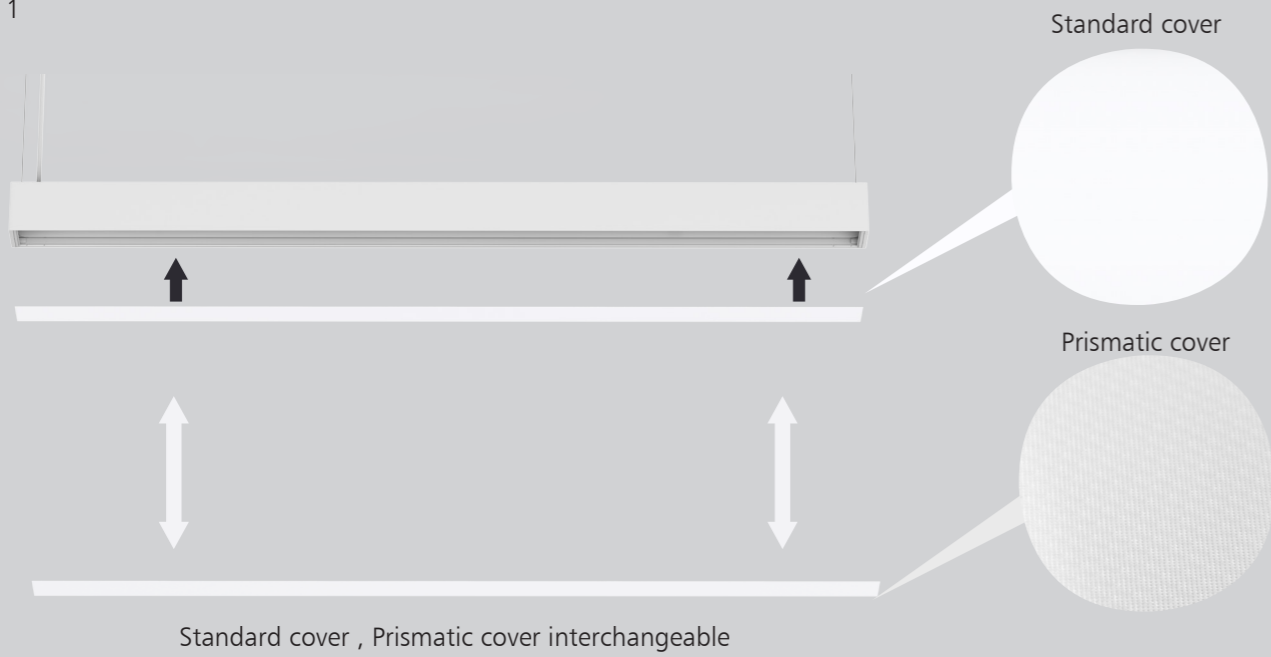
80% Downward +20% Upward



80% Downward , 20% Upward

DIY FUNCTION

Option 1

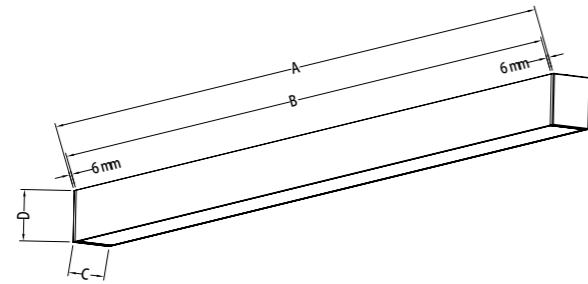
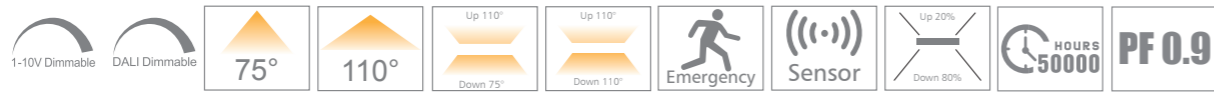


Standard cover , Prismatic cover interchangeable

Option 2



DIY soft cover



Measurement

Code	Dimension(mm)				Size(mm)	Product Weight (Kg)		Package weight (Kg)		Carton Size(cm)	Qty/CTN	20GP (pcs)	40HQ (pcs)
	A	B	C	D		N.W/PC	G.W/PC	N.W/CTN	G.W/CTN				
600	602	590	57	76	602*57*76	1.7	2	10.2	12.8	66*31*25.5	6	2100	4332
1200	1212	1200	57	76	1212*57*76	2.7	3.2	16.2	20.2	127*31*25.5	6	1710	4074
1500	1512	1500	57	76	1512*57*76	3.5	4.2	21	26.5	157*31*25.5	6	1374	3204

Technical Data Sheet (Accessory parameters)

Diagram	Code No.	Dimension L*W*H mm	Watt (W)	LED Module Input	Luminous Flux (lm) ±5%		Product Weight (Kg)		Package weight (Kg)		Carton Size(cm)	Qty/CTN
					Standard cove	Prisma cove	N.W/PC	G.W/PC	N.W/CTN	G.W/CTN		
	ACC-DB77A-600 (Upward LED module 0.6m)	493*17.5*7	5W	8-9.6VDC	460-560	—	0.08	—	1.6	3.5	58.5*31.5*13	20
	ACC-DB77A-1200 (Upward LED module 1.2m)	1104*17.5*7	9W	8-9.6VDC	900-1030	—	0.17	—	3.4	6.5	119.5*31.5*13	20
	ACC-DB77A-1500 (Upward LED module 1.5m)	1403*17.5*7	11W	8-9.6VDC	1150-1300	—	0.21	—	4.2	7.8	149.5*31.5*13	20
	ACC-DB77A-L (Upward LED module L)	(203*17.5*7)*2	3W	8-9.6VDC	280-350	—	0.04	—	2	2.2	28.5*19*10	50
	ACC-DB77A-WT-03 (Corner L)	200*200*76	10W	220-240VAC	950-1150	750-900	0.8	0.9	9.6	11.8	51*44*23	12
	ACC-DB77A-T (Upward LED module T)	(203*17.5*7)*3	4.5W	8-9.6VDC	400-520	—	0.06	—	1.2	1.4	28.5*19*10	20
	ACC-DB77A-WT-04 (Corner T)	343*200*76	15W	220-240VAC	1380-1600	1120-1350	1	1.15	12	15	53.5*36.5*45	12
	ACC-DB77A-X (Upward LED module +)	(203*17.5*7)*4	6W	8-9.6VDC	550-700	—	0.08	—	2	2.2	28.5*19*10	25
	ACC-DB77A-WT-02 (Corner +)	343*343*76	20W	220-240VAC	1800-2300	1520-1800	1.2	1.4	7.2	9.5	51*36.5*37	6

Technical Data Sheet

Code No.	DB77A-600-17W	DB77A-600-22W	DB77A-1200-36W	DB77A-1200-45W	DB77A-1500-45W	DB77A-1500-56W		
Dimension(mm)	602*57*76		1212*57*76		1512*57*76			
Cutout (mm) (Recessed version)	604*63*76		1214*63*76		1514*63*76			
Watt(W)	17W	17W+5W	36W	36W+9W	45W	45W+11W		
Rated Input Voltage(V)	AC220-240V							
Input Voltage(V)	AC198-264V/ AC180-264V							
LED Module Input	-							
Light Source	SMD							
SDCM	<6 (@3000K 4000K 5000K)							
CCT(K)	1-CCT: 3000K/4000K/5000K/5700K 3-CCT: 3000K + 4000K + 5700K							
CCT Selection DIP Switch	YES							
Luminous Flux (lm) ±5% (Standard cover)	Non-DIM	1-CCT	1500-1650	2000-2200	3350-3750	4000-4700	4000-4700	5100-5900
	DIM		1480-1610	1950-2150	3300-3700	3900-4600	3900-4600	5000-5800
	Non-DIM	3-CCT	1500-1680	2000-2250	3350-3850	4000-4850	4000-4850	5100-6000
	DIM		1480-1650	1950-2200	3300-3800	3900-4750	3900-4750	5000-5900
Luminous Flux (lm) ±5% (Prismatic cover)	Non-DIM	1-CCT	1350-1500	1780-2100	2800-3300	3700-4400	3650-4350	4500-5200
	DIM		1300-1450	1750-2000	2700-3200	3600-4300	3550-4250	4400-5100
	Non-DIM	3-CCT	1350-1550	1780-2150	2800-3400	3700-4500	3650-4450	4500-5400
	DIM		1300-1500	1750-2050	2700-3300	3600-4400	3550-4350	4400-5300
CRI	80							
Beam Angle (°) (Standard cover)	Down 110°	UP 110° Down 110°	Down 110°	UP 110° Down 110°	Down 110°	UP 110° Down 110°		
Beam Angle (°) (Prismatic cover)	Down 75°	UP 110° Down 75°	Down 75°	UP 110° Down 75°	Down 75°	UP 110° Down 75°		
UGR (Standard cover)	-							
UGR (Prismatic cover)	<22	<19	<22	<19	<22	<19		
LED Driver	Built-in							
Dimming Option	DALI / 1-10V							
Sensor	Yes							
Emergency Kits	Yes							
Electrical Class	Class I							
Ingress Protection (IP Rating)	IP20							
Impact Resistance (IK Rating)	IK06							
Product Finishing(Base)	White RAL 9016 / Black RAL 9005							
Materials of Optics	PC							
Materials of Housing	Aluminum							
Lifetime (hr)	50,000h							
Glow wire test (°C)	750°C (Cover)							
Operating Temp. (°C)	-20°C ~45°C							
Storage Temp. (°C)	-20°C ~65°C							
Installation	Surface mount/ Supended/ Wall mounted/Recessed/Track							

Driver Datasheet(Non-dimmable)

Code		DB77A-600		DB77A-1200		DB77A-1500		Corner L	Corner T	Corner +
Total load wattage		17W	22W	36W	45W	45W	56W	10W	15W	20W
Output	Output Voltage range	DC23-51V		DC 23-54V				DC 30-42V	DC 30-40V	DC30-38V
	Rated output current	500mA		1100mA		1400mA		300mA	450mA	600mA
	Line Regulation	±7.5%								
	Setup, Rise Time	≤0.5S/230VAC								
	Flickering Index	5%								
Input	Input Voltage	AC198-264V								
	Rated Input Voltage(V)	AC200-240V								
	Frequency	50/60Hz								
	Input Current	≤0.11A	≤0.13A	≤0.21A	≤0.26A	≤0.26A	≤0.32A	≤0.06A	≤0.09A	≤0.13A
	Rated Input Current	≤0.1A	≤0.12A	≤0.19A	≤0.23A	≤0.23A	≤0.29A	≤0.006A	≤0.08A	≤0.11A
	Power Factor	>0.9								
	THD	<15% @ 230VAC								
	Efficiency	86%						82%	84%	
	No load wattage	<0.5W								
	Protection	Short circuit protection	Pass							
Over voltage protection		Pass								
Over temperature protection		Pass								
Safety &EMC	Withstand voltage	I/P-O/P:3750VAC,I/P-FG:1750VAC,O/P-FG:500VAC								
	Isolation Resistance	I/P-O/P: 500VDC, ≥100M Ω								
	Surge	IEC/EN61000-4-5 (L-N:1KV, L/N-PE:2KV)								
	EMC Emission	IEC/EN55015, IEC/EN61000-3-2								
	EMC Immunity	IEC/EN61000-4-2,3,4,5,6,8,11; IEC/EN61547								

Driver Datasheet(1-10V)

Code		DB77A-600		DB77A-1200		DB77A-1500		Corner L	Corner T
Total load wattage		17W	22W	36W	45W	45W	56W	10W	15W
Output	Output Voltage range	DC 3-42V							
	Rated output current	500mA		1100mA		1350mA		300mA	450mA
	Line Regulation	±5%							
	Setup, Rise Time	≤0.5S/230VAC							
	Flickering Index	5%							
	Input	Input Voltage	180-264VAC						
Rated Input Voltage(V)		200-240VAC							
Frequency		50/60Hz							
Input Current		≤0.11A	≤0.13A	≤0.23A	≤0.28A	≤0.28A	≤0.35A	≤0.07A	≤0.1A
Rated Input Current		≤0.1A	≤0.12A	≤0.2A	≤0.25A	≤0.25A	≤0.32A	≤0.06A	≤0.09A
Power Factor		>0.9							
THD		<20% @ 230VAC							
Efficiency		86%		88%				83%	
No load wattage		<0.5W							
Protection		Short circuit protection	Pass						
	Over voltage protection	Pass							
	Over temperature protection	Pass							
Safety &EMC	Withstand voltage	I/P-O/P:3750VAC,I/P-FG:1750VAC,O/P-FG:500VAC							
	Isolation Resistance	I/P-O/P: 500VDC, ≥100M Ω							
	Surge	IEC/EN61000-4-5 (L-N:1KV, L/N-PE:2KV)							
	EMC Emission	IEC/EN55015, IEC/EN61000-3-2							
	EMC Immunity	IEC/EN61000-4-2,3,4,5,6,8,11; IEC/EN61547							

Driver Datasheet(DALI)

Code		DB77A-600		DB77A-1200		DB77A-1500		Corner L	Corner T
Total load wattage		17W	22W	36W	45W	45W	56W	10W	15W
Output	Output Voltage range	DC 3-42V							
	Rated output current	500mA		1100mA		1350mA		300mA	450mA
	Line Regulation	±5%							
	Setup, Rise Time	≤0.5S/230VAC							
	Flickering Index	5%							
Input	Input Voltage	180-264VAC							
	Rated Input Voltage(V)	200-240VAC							
	Frequency	50/60Hz							
	Input Current	≤0.11A	≤0.13A	≤0.23A	≤0.28A	≤0.28A	≤0.35A	≤0.07A	≤0.1A
	Rated Input Current	≤0.1A	≤0.12A	≤0.2A	≤0.25A	≤0.25A	≤0.32A	≤0.06A	≤0.09A
	Power Factor	>0.9							
	THD	<10% @ 230VAC							
	Efficiency	86%		88%				83%	
	No load wattage	<0.5W							
	Protection	Short circuit protection	Pass						
Over voltage protection		Pass							
Over temperature protection		Pass							
Safety &EMC	Withstand voltage	I/P-O/P:3750VAC,I/P-FG:1750VAC,O/P-FG:500VAC							
	Isolation Resistance	I/P-O/P: 500VDC, ≥100M Ω							
	Surge	IEC/EN61000-4-5 (L-N:1KV, L/N-PE:2KV)							
	EMC Emission	IEC/EN55015, IEC/EN61000-3-2							
	EMC Immunity	IEC/EN61000-4-2,3,4,5,6,8,11; IEC/EN61547							

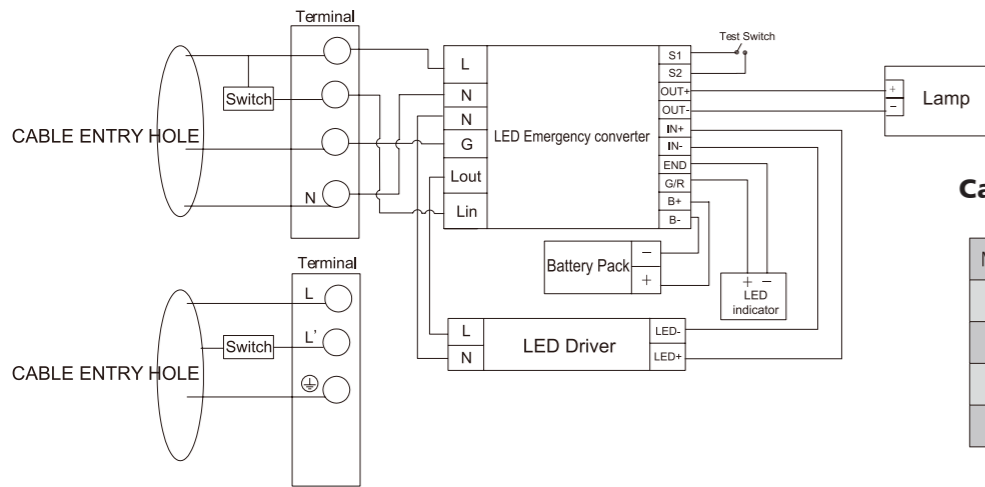
Driver Datasheet (Sensor)

Sensor datasheet	
Operating voltage	220-240VAC 50/60Hz
Power consumption	1.5W±0.5W
Microwave frequency	5.8GHz±75MHz, ISM wave band
Transmission power	<0.5mW
Detection angle	140°
Detection Area	100%/75%/50%/25%(4-7M)
Hold time	5S/30S/90S/5Min/20Min/30Min
Daylight sensor	2lux/10lux/30lux/50lux/Disable
Stand-by DIM Level	-
Stand-by Period	-
Dimming Range	-
Microwave ON/OFF function	-
Installation Height	Recommended Installation Height: 1.8m Ceiling mounted height 3m.
Operating temperature(°C)	-20°C ~60°C

Driver Datasheet (Emergency)

Power	3W
Rated Input Voltage(V)	AC230V
Frequency	50/60Hz
Input Voltage	AC200-240V
Total load wattage	3W±0.5W
Rated Input Current	≤0.023A
Battery	6.4V 1500mAh (LifepO4)
Lifetime	2000 cycles
Battery duration	≥3hrs
Charge Period	≤24hrs

EM Wiring Diagram:



Cable connection

Mark	Description	Building wiring cable
L'	Switched Active	Switch cable
L	Unswitched Active	Unswitch cable
⊕	Earth	Earth cable
N	Neutral	Neutral cable

Daylight & Microwave Sensor:

Sensor Setting:

Detection area		
1	2	
ON	ON	100%
-	ON	75%
ON	-	50%
-	-	25%

Detection area:

Detection area can be reduced by selecting the combination on the DIP switches to fit precisely each application.

Notice 1: The test is based on a height of 3m, the radius is the ground detect distance, which can be selected through the slide switch.

Notice 2: The detection range is measured by human body whose stature is around 1.6-1.7M with medium size and traveling speed is around 1.0-1.5M per second. If the stature, bodily form and traveling speed are changed, then the detection range will be changed accordingly.

Notice 3: Test result will be highly influenced by test environment, the more open environment, the closer detection distance; the narrower environment, the longer detection distance. The detector may do self-excitation in a narrow environment.

Hold time			
3	4	5	
ON	ON	ON	5S
-	ON	ON	30S
ON	-	ON	90S
-	-	ON	5min
ON	ON	-	20min
-	-	-	30min

Hold time:

Refers to the time period the lamp remains at 100% illumination after no motion detected.

Notice 1: The hold time can be selected by the slide switch. The hold time counting should be started after the sensor is powered on and initialized.

Daylight sensor			
6	7	8	
ON	ON	ON	2Lux
ON	ON	-	10Lux
-	ON	-	30Lux
ON	-	-	50Lux
-	-	-	Disable

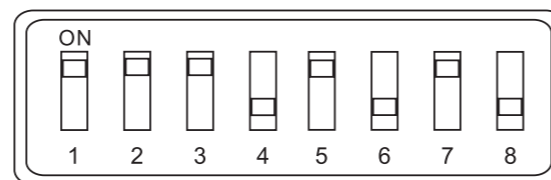
Daylight sensor:

The sensor can be set to only allow the lamp to illuminate below a defined ambient brightness threshold. When set to Disable mode, the daylight sensor will switch on the lamp when motion is detected regardless of ambient light level.

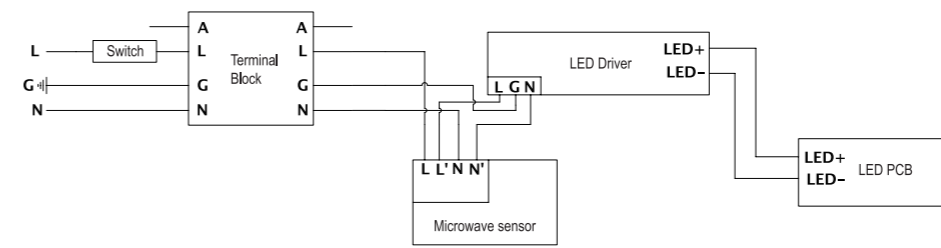
Notice 1: The light threshold can be selected through the slide switch, it may cause a large deviation in different lamps.

Factory settings:

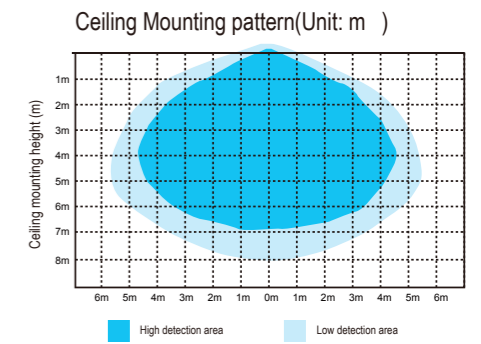
Detection Area	Hold Time	Daylight Sensor
100%	90S	30Lux



Wiring Diagram(Sensor):



Induction Range



Installation Procedure

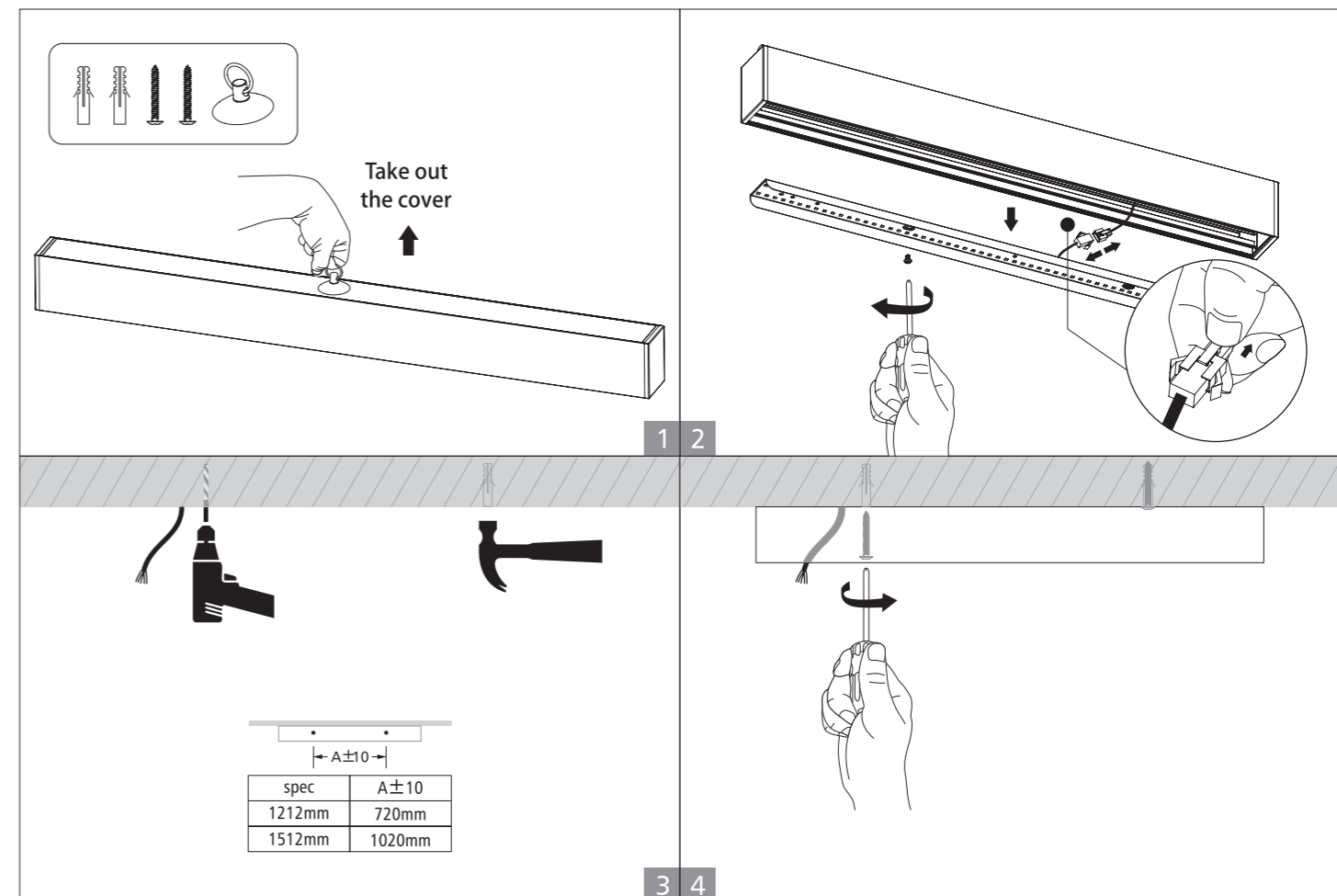
WARNING

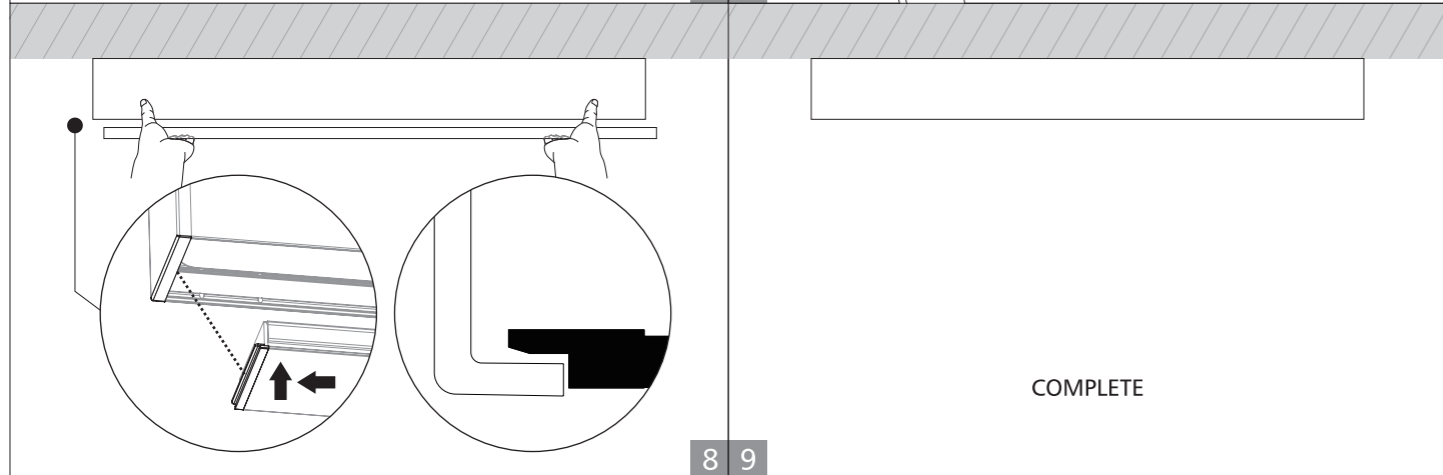
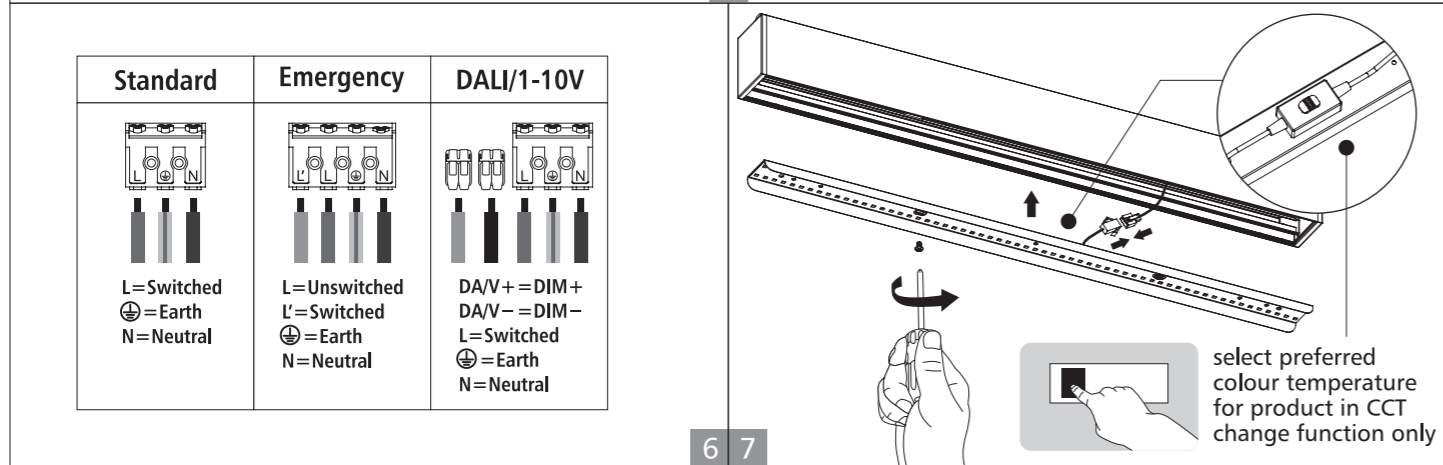
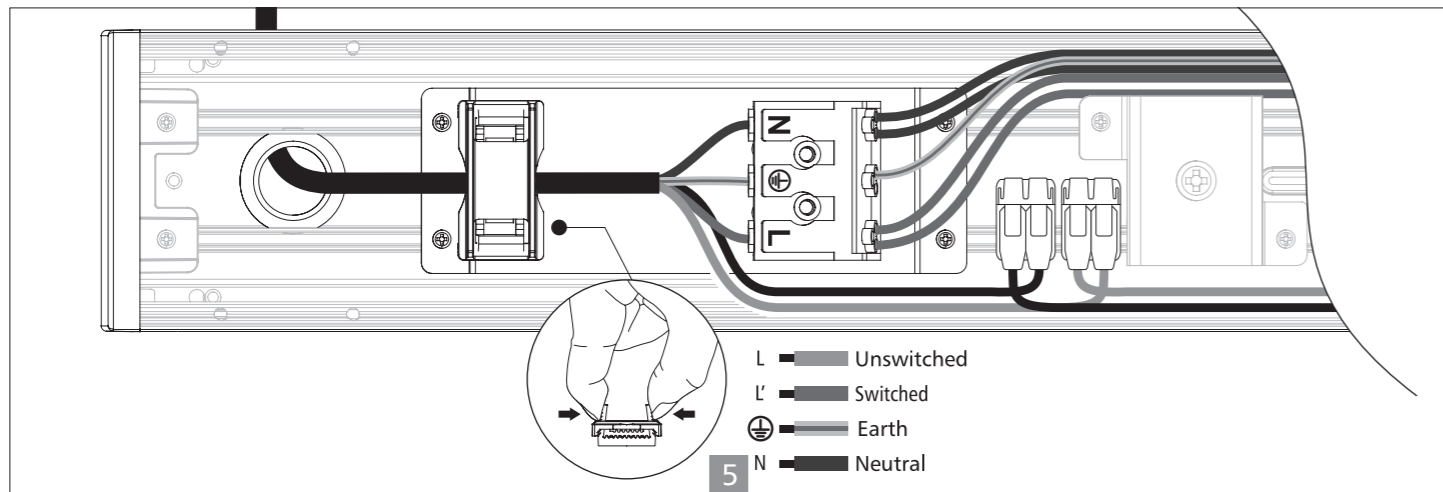
1. Switch off before installation.
2. Switch on only after complete installation and examination of the circuit.
3. Professional electrician for installation and maintenance only.



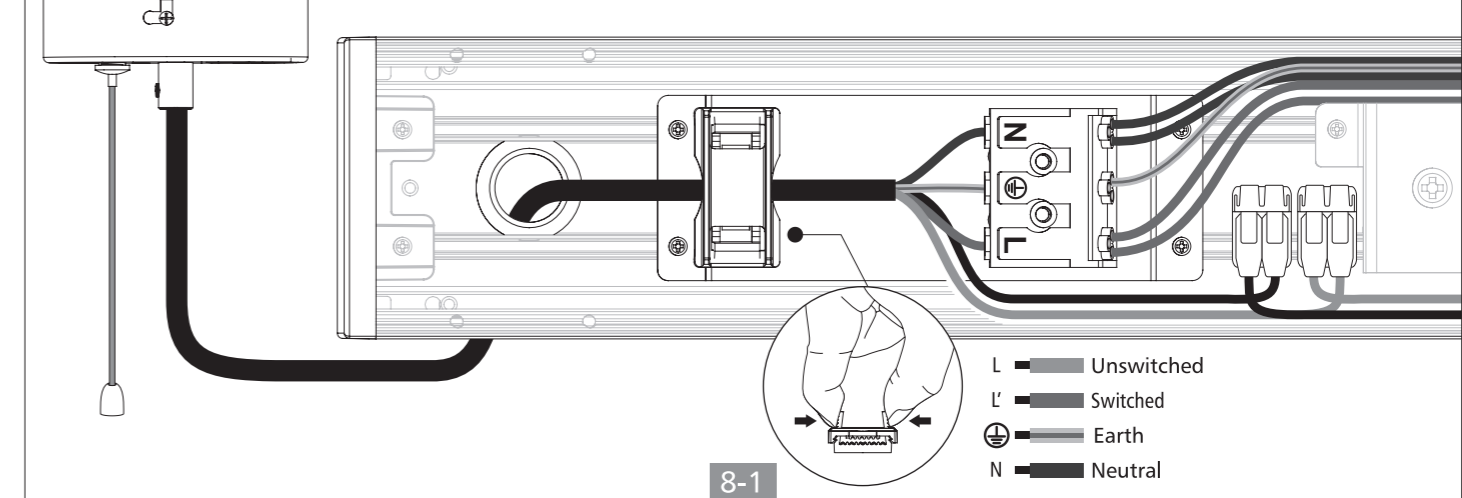
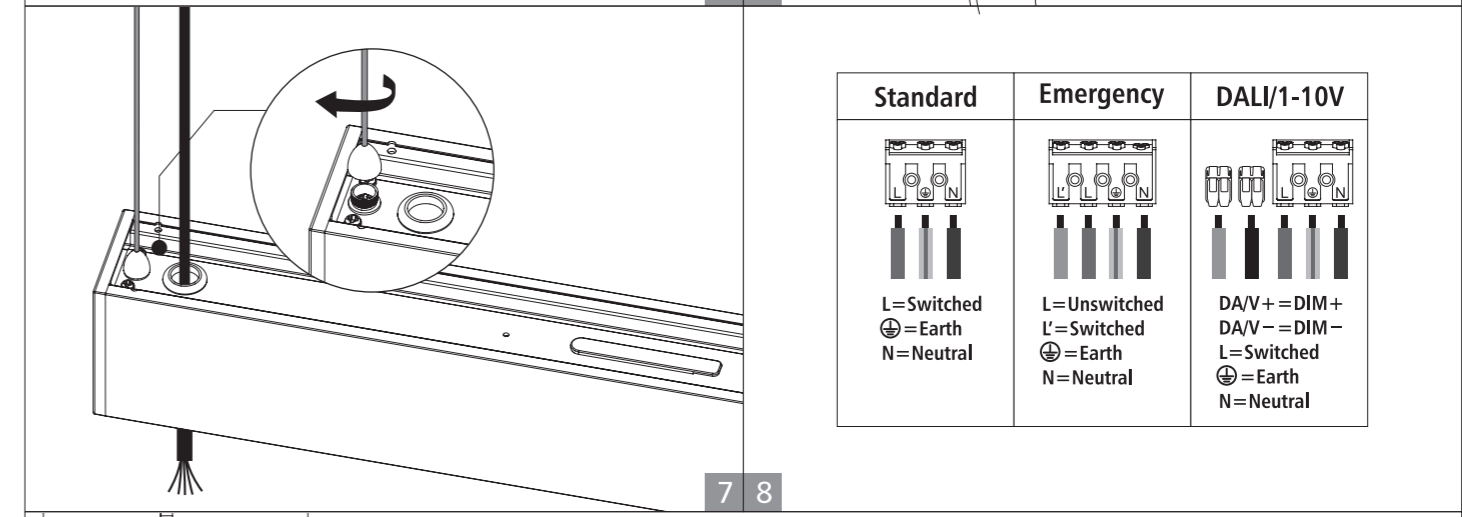
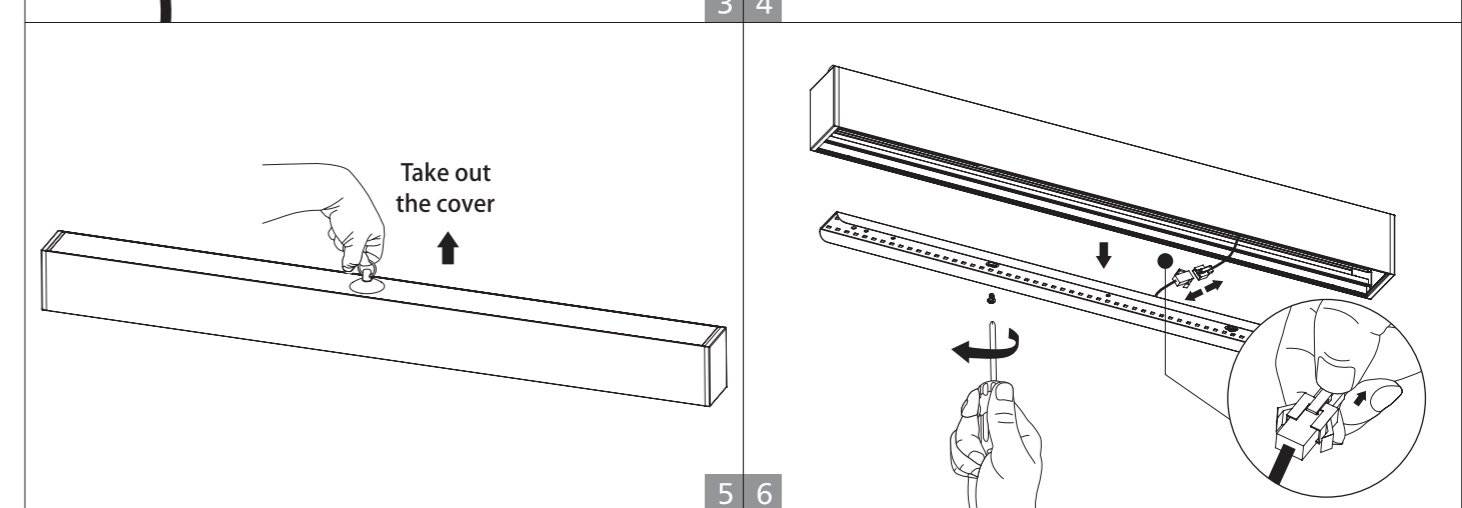
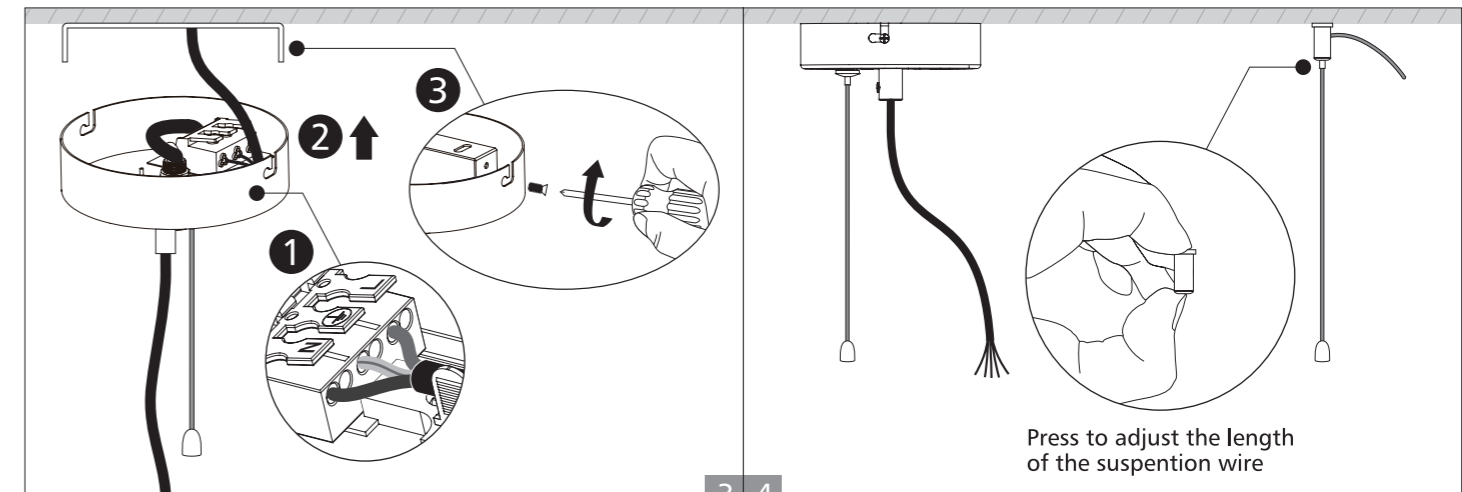
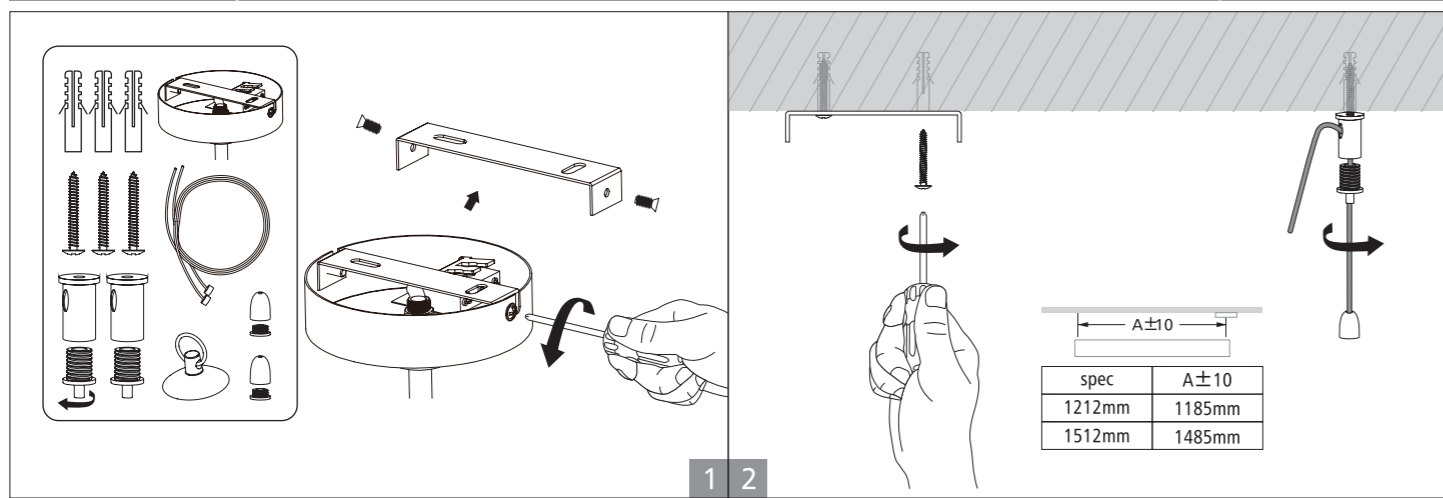
Turn Off power supply before starting any installation. Read instructions & check you have all the tools & accessories to complete the installation correctly.

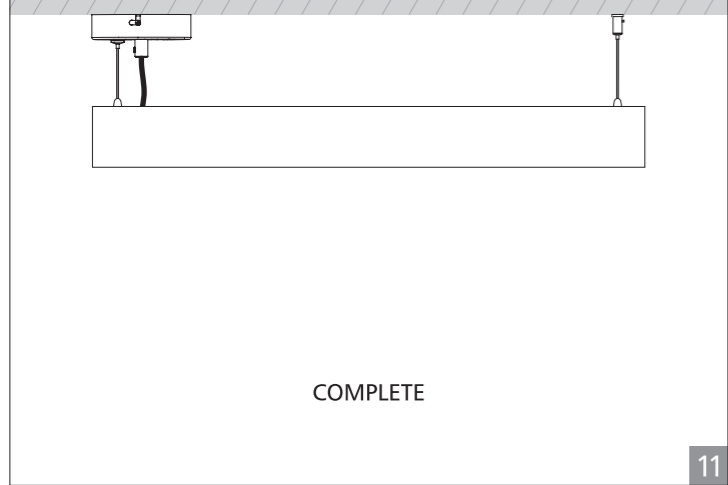
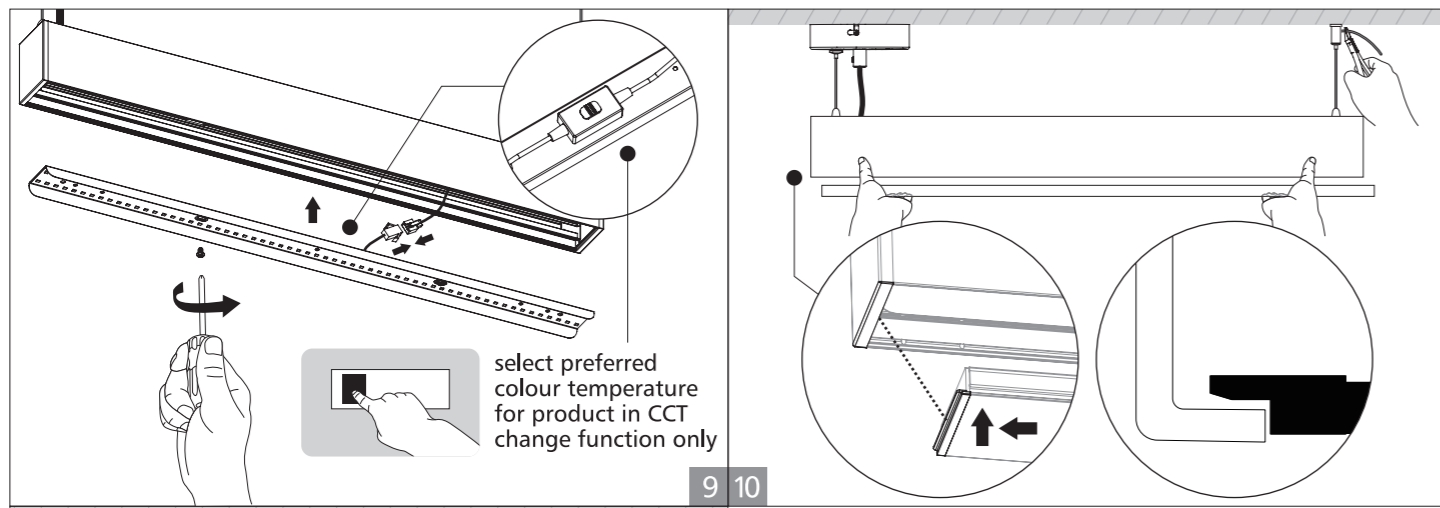
Surface mounted installation



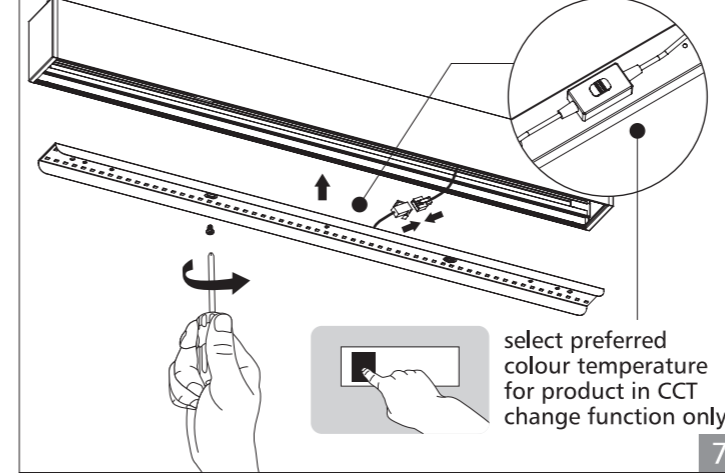
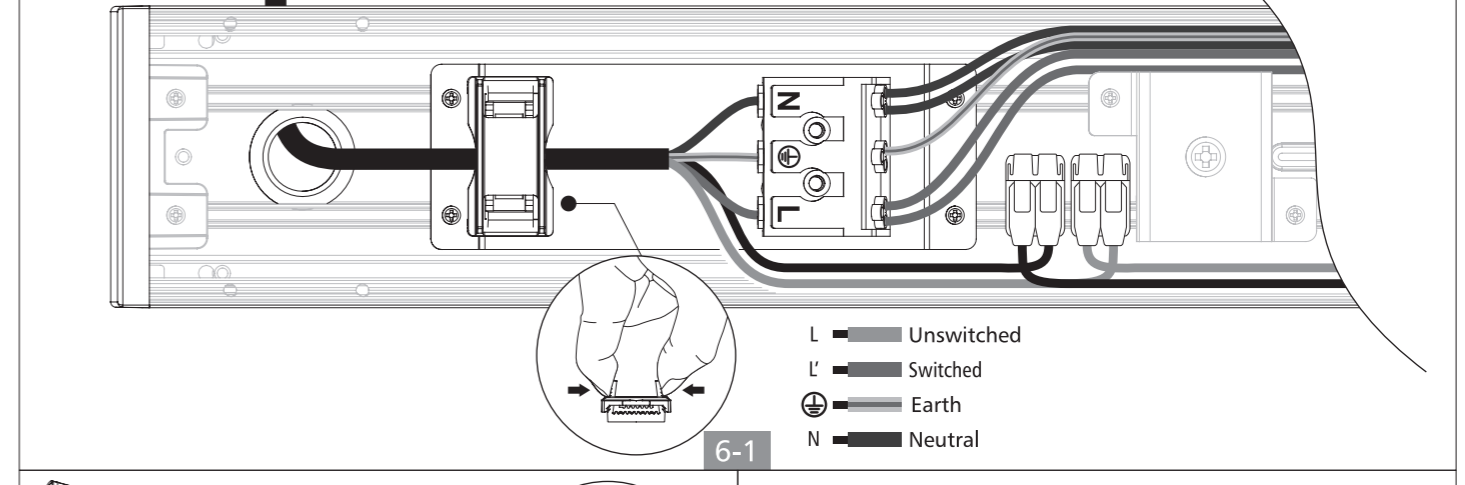
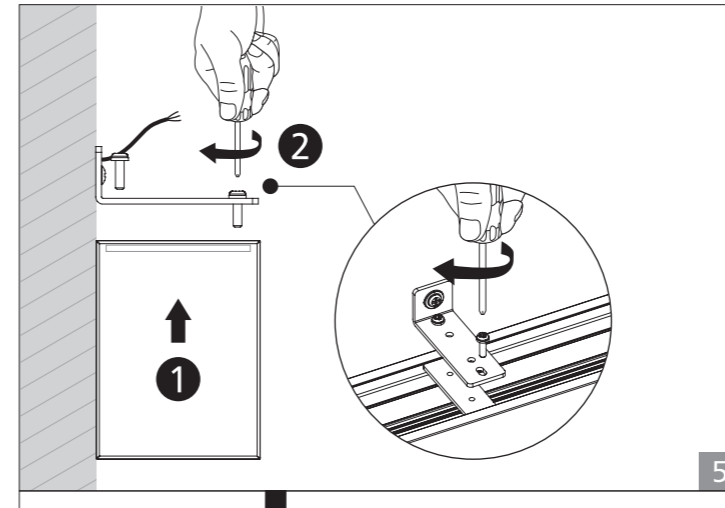
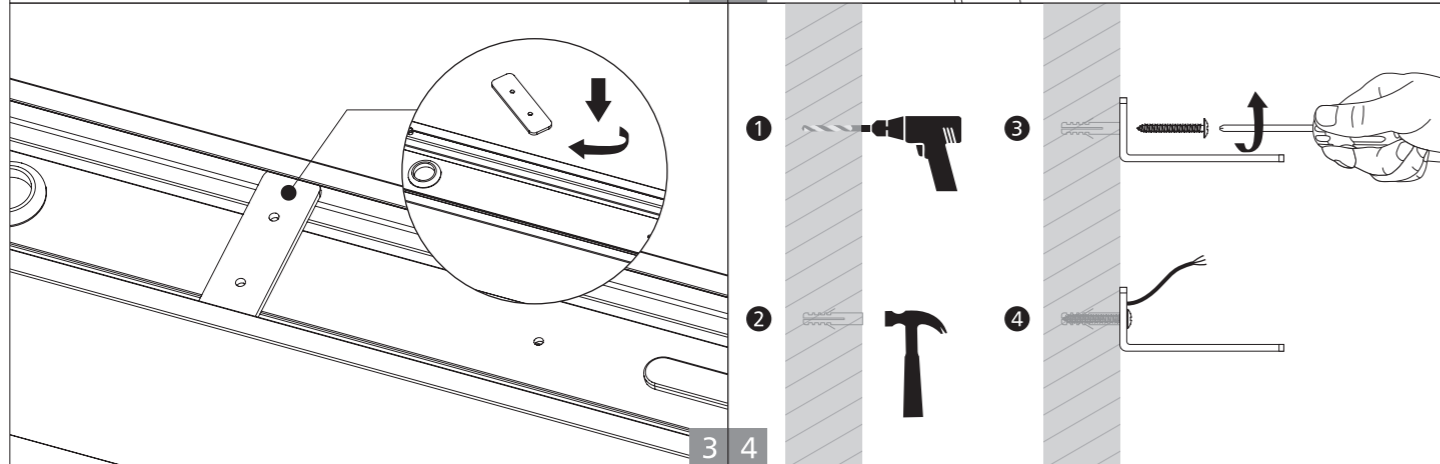
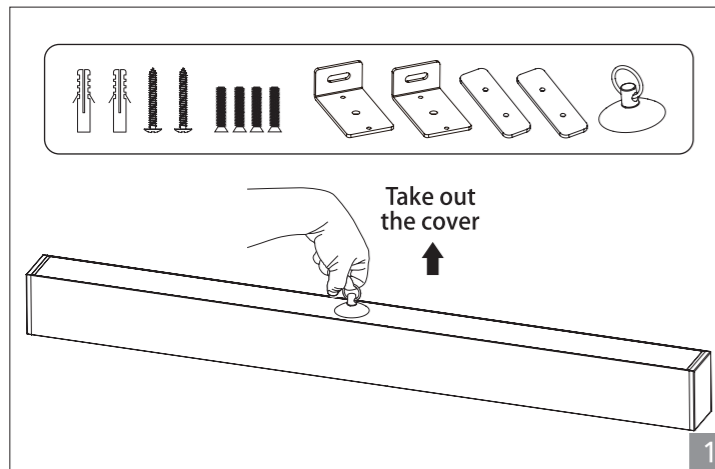


Suspended installation (With round ceiling plate)



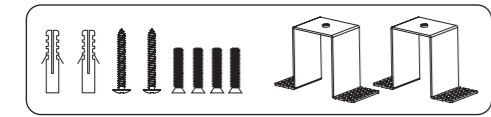


Wall mounted installation

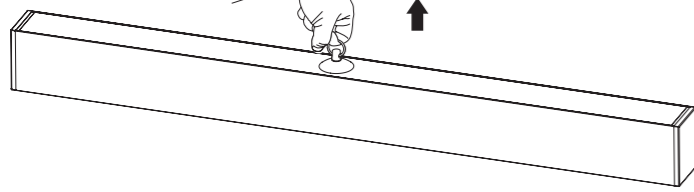


Standard	Emergency	DALI/1-10V
L=Switched ⊕=Earth N=Neutral	L=Unswitched L'=Switched ⊕=Earth N=Neutral	DAV+=DIM+ DAV-=DIM- L=Switched ⊕=Earth N=Neutral

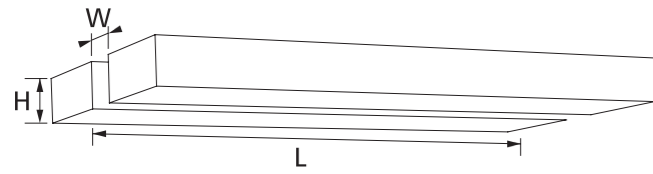
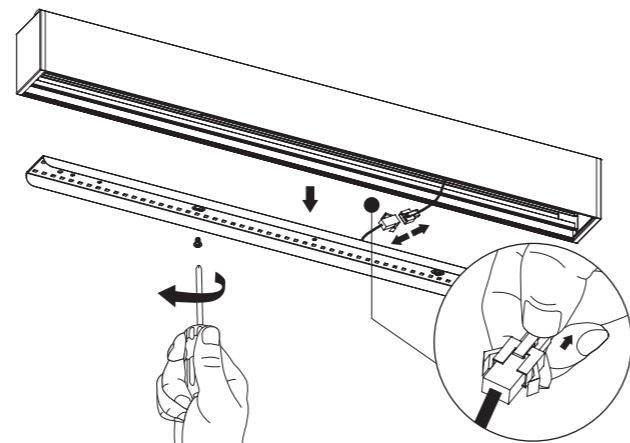
Recessed installation



Take out the cover

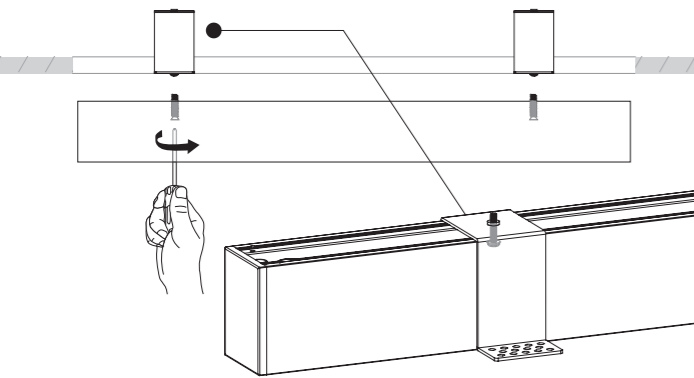
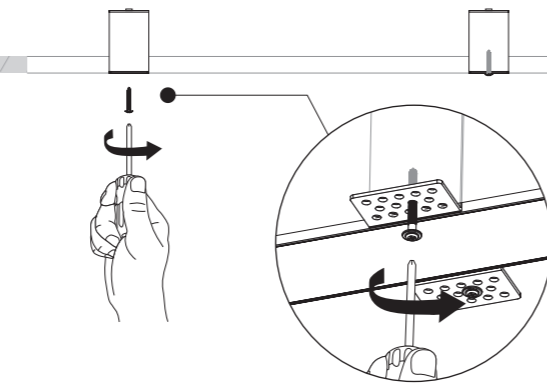


1 2



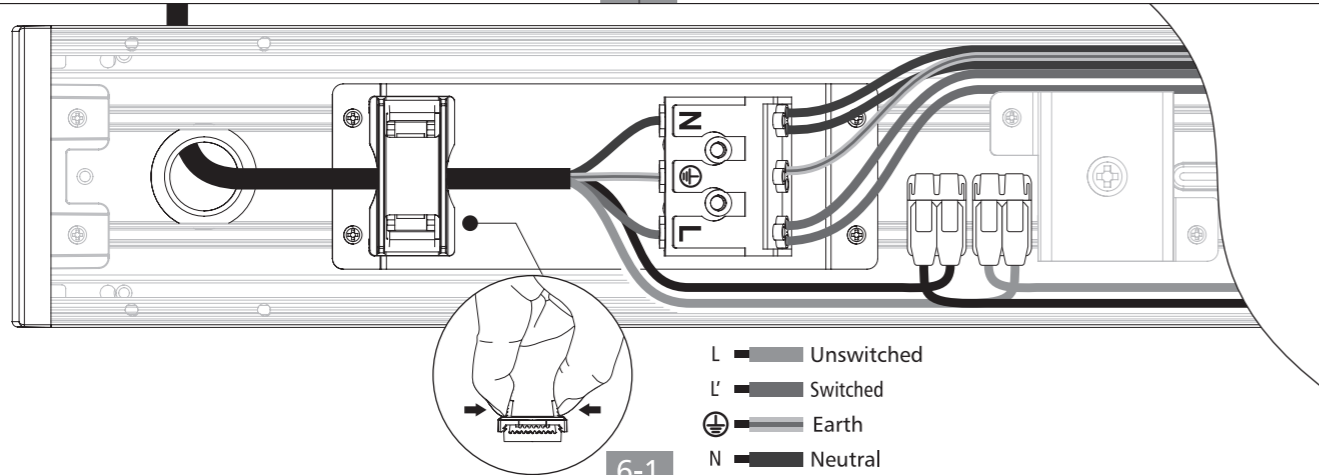
spec	(L)Length	(W)Width	(H)Height
1212mm	1214mm	63mm	76mm
1512mm	1514mm	63mm	76mm

3 4



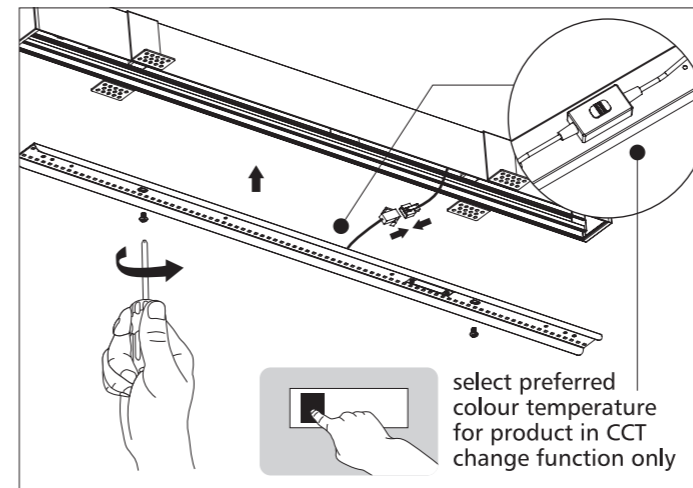
5 6

Standard	Emergency	DALI/1-10V
L=Switched ⊕=Earth N=Neutral	L=Unswitched L'=Switched ⊕=Earth N=Neutral	DA/V+=DIM+ DA/V-=DIM- L=Switched ⊕=Earth N=Neutral



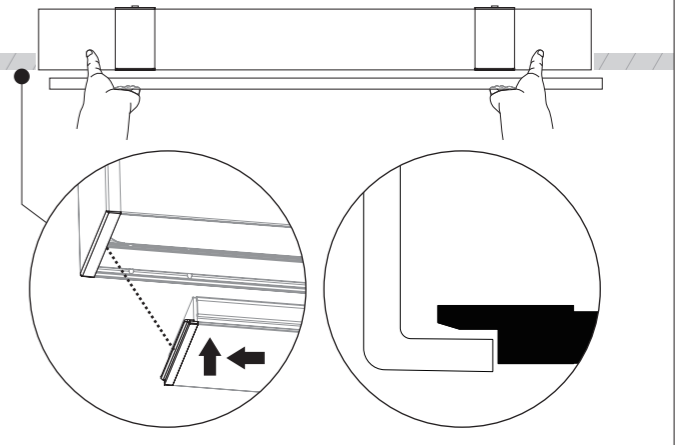
6-1

L	Unswitched
L'	Switched
⊕	Earth
N	Neutral



select preferred colour temperature for product in CCT change function only

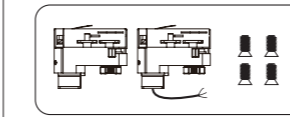
7 8



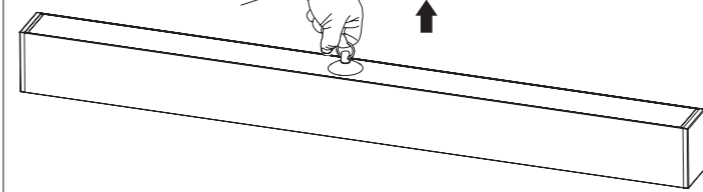
COMPLETE

9

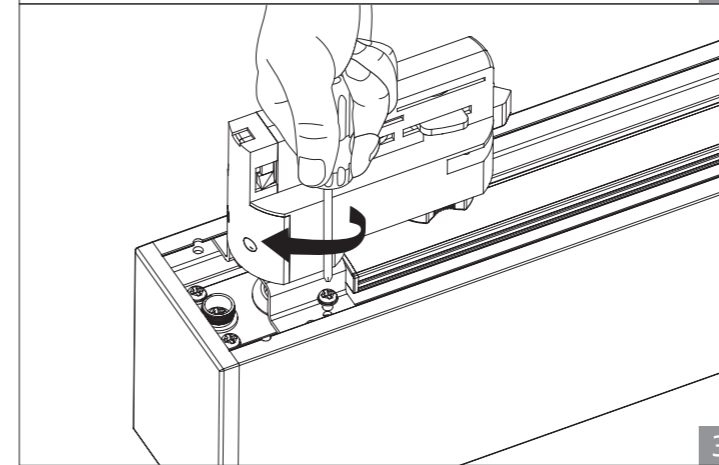
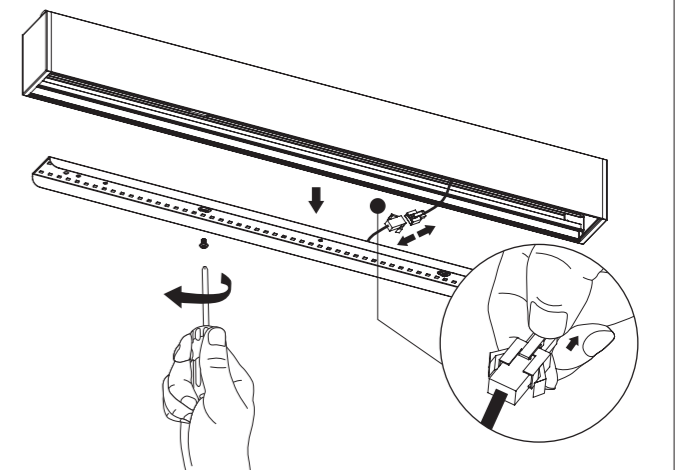
Track installation



Take out the cover

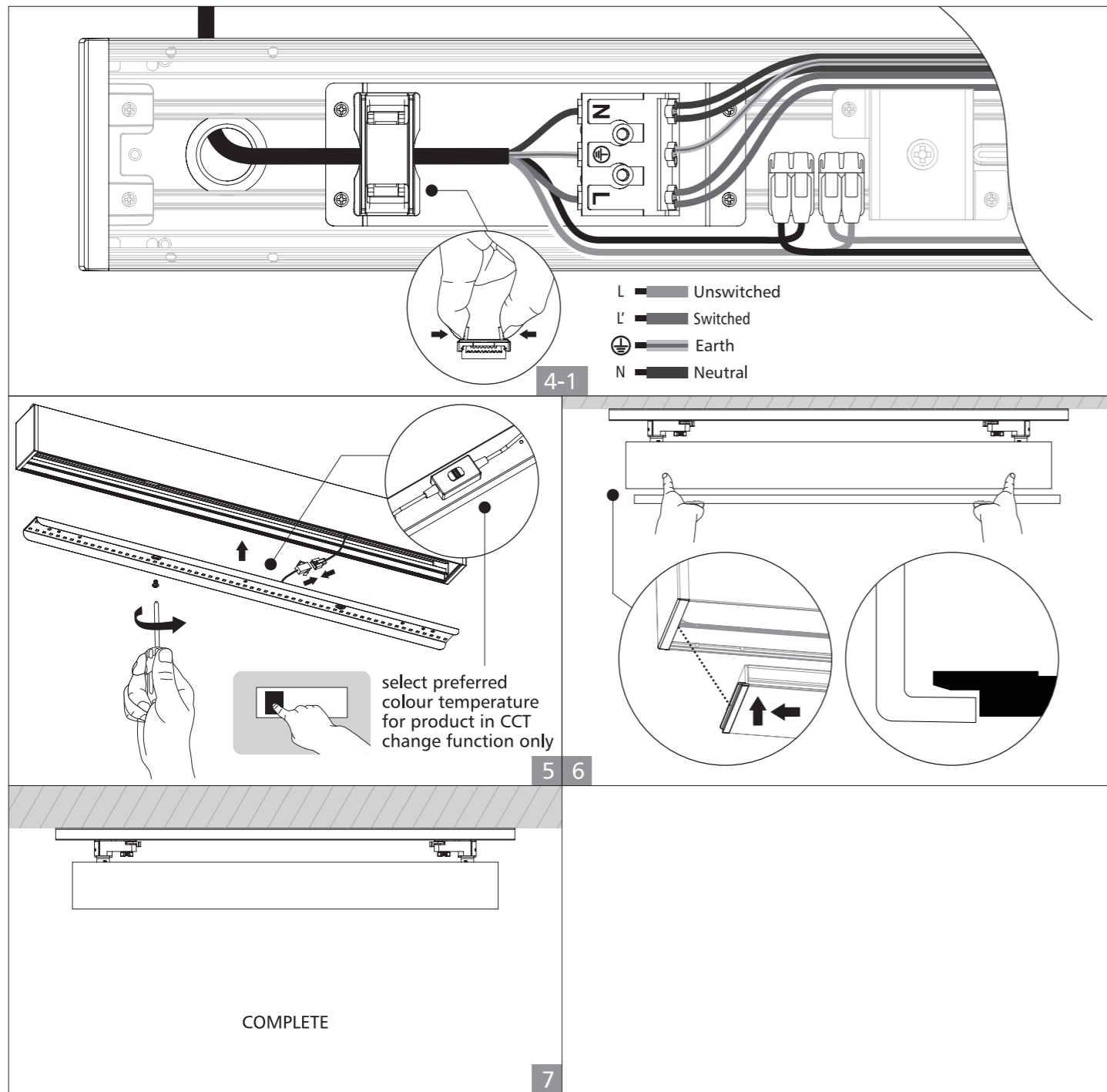


1 2



3 4

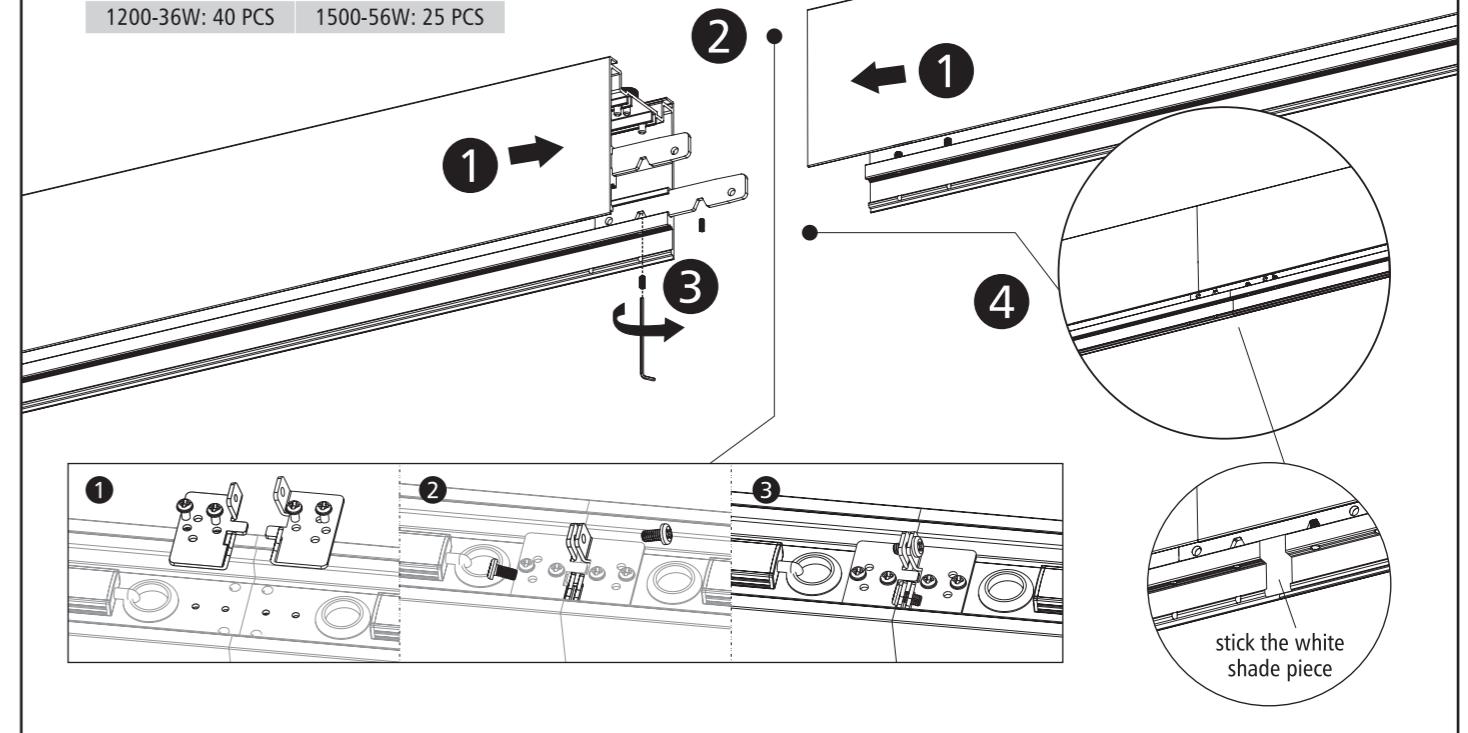
Standard	Emergency	DALI/1-10V
L=Switched ⊕=Earth N=Neutral	L=Unswitched L'=Switched ⊕=Earth N=Neutral	DA/V+=DIM+ DA/V-=DIM- L=Switched ⊕=Earth N=Neutral



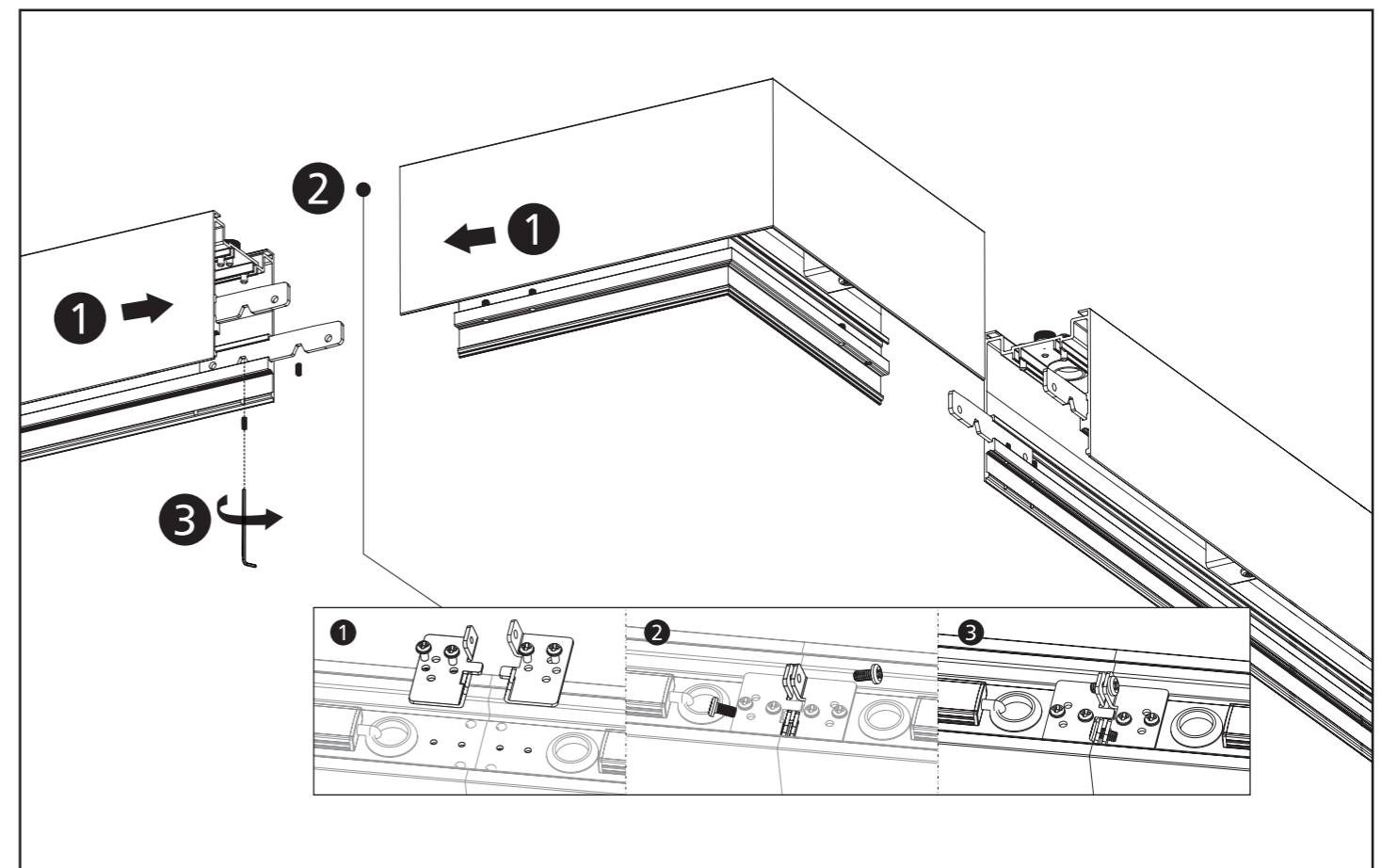
Straight "—"

Splicing Qty(Max):

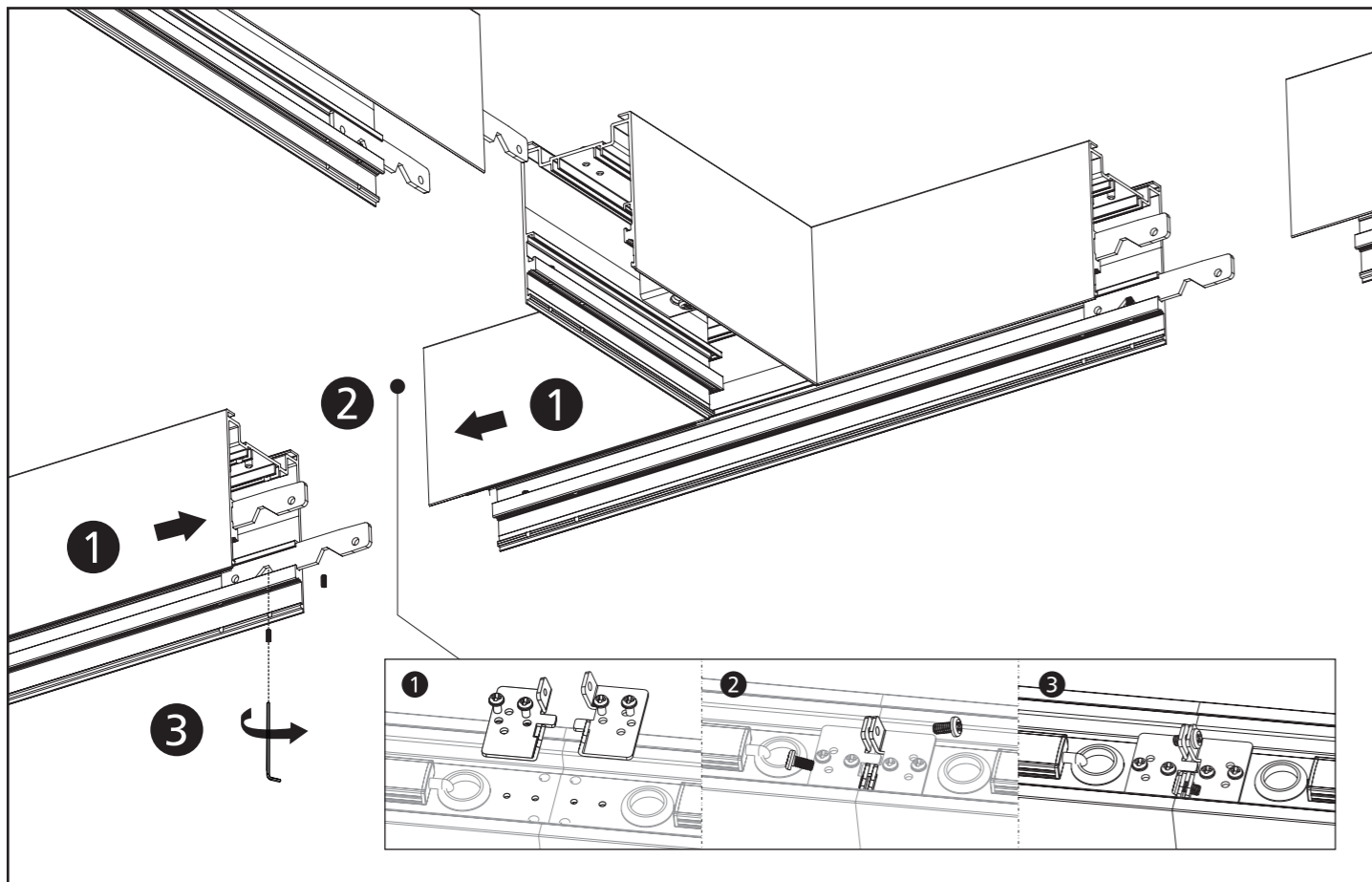
600-17W: 80 PCS	1200-45W: 30 PCS
600-22W: 60 PCS	1500-45W: 30 PCS
1200-36W: 40 PCS	1500-56W: 25 PCS



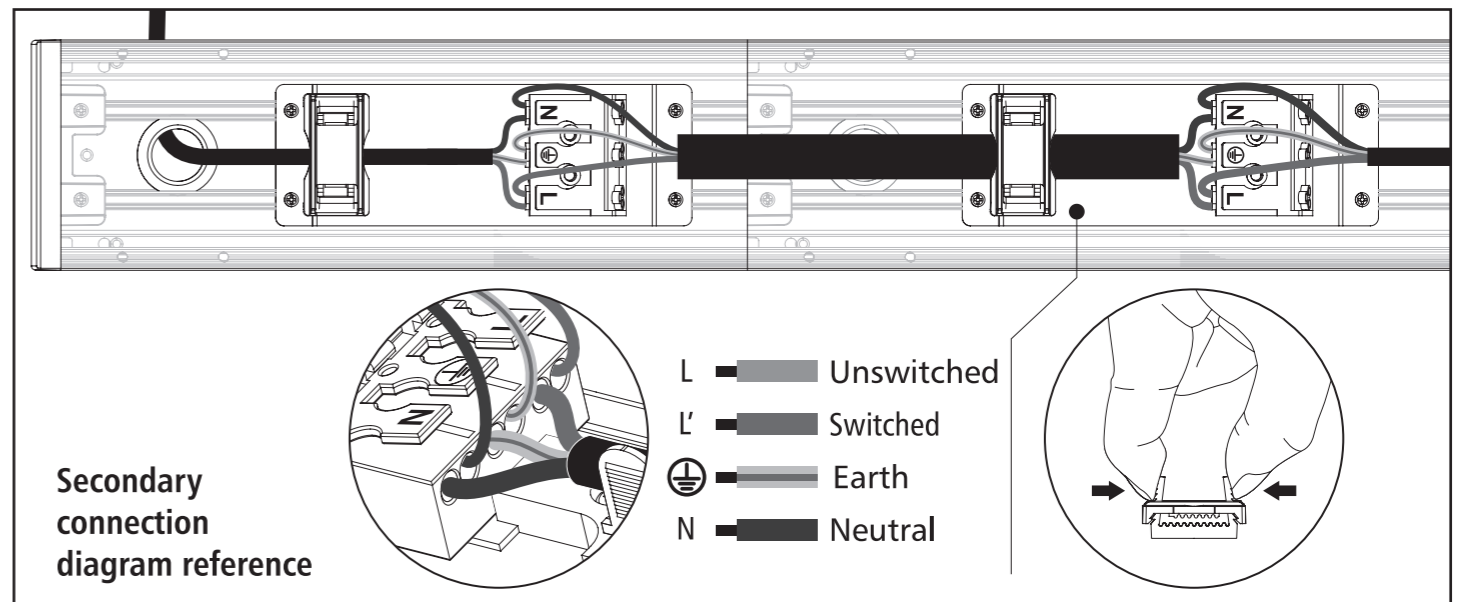
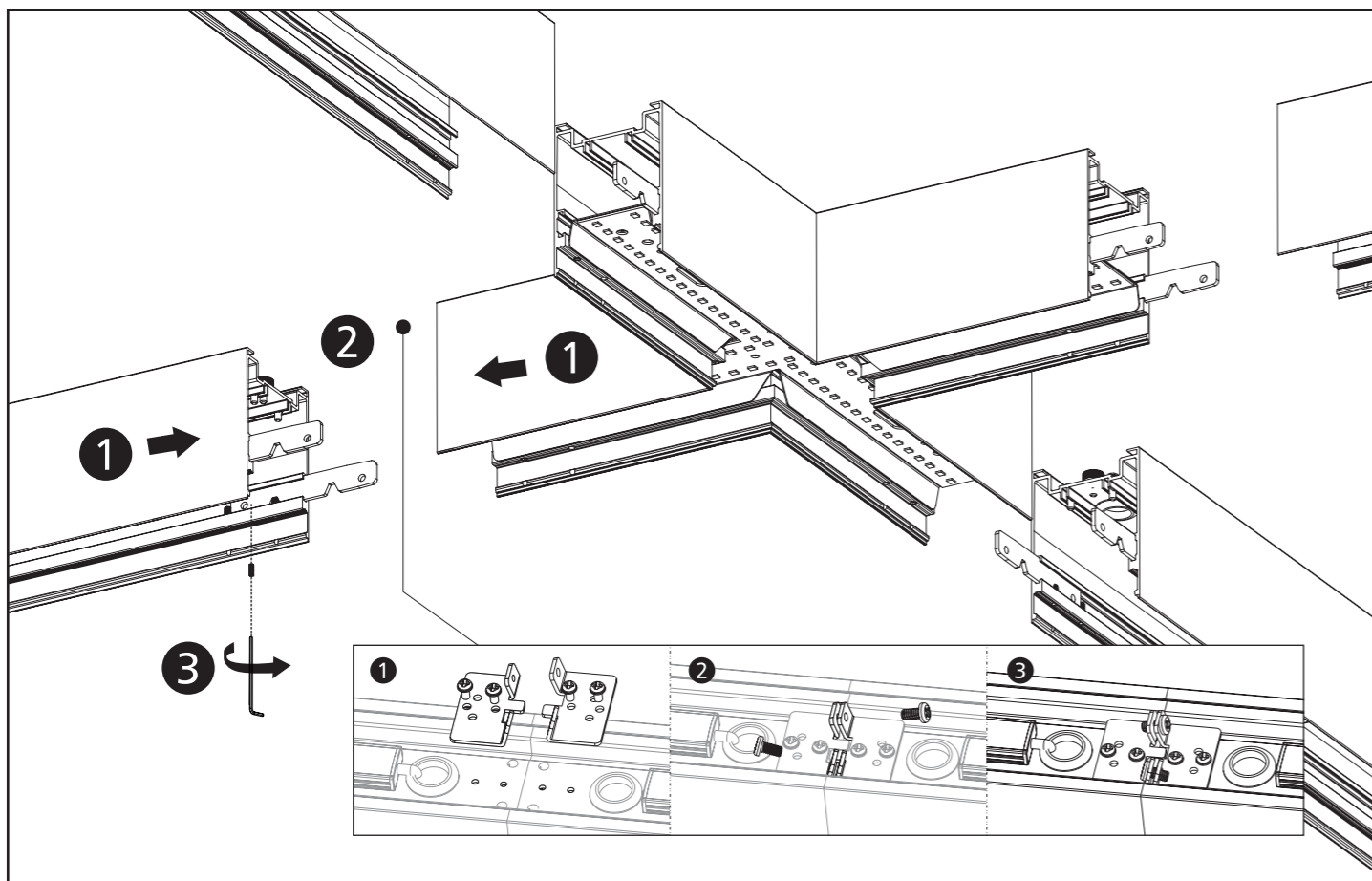
Corner "L"



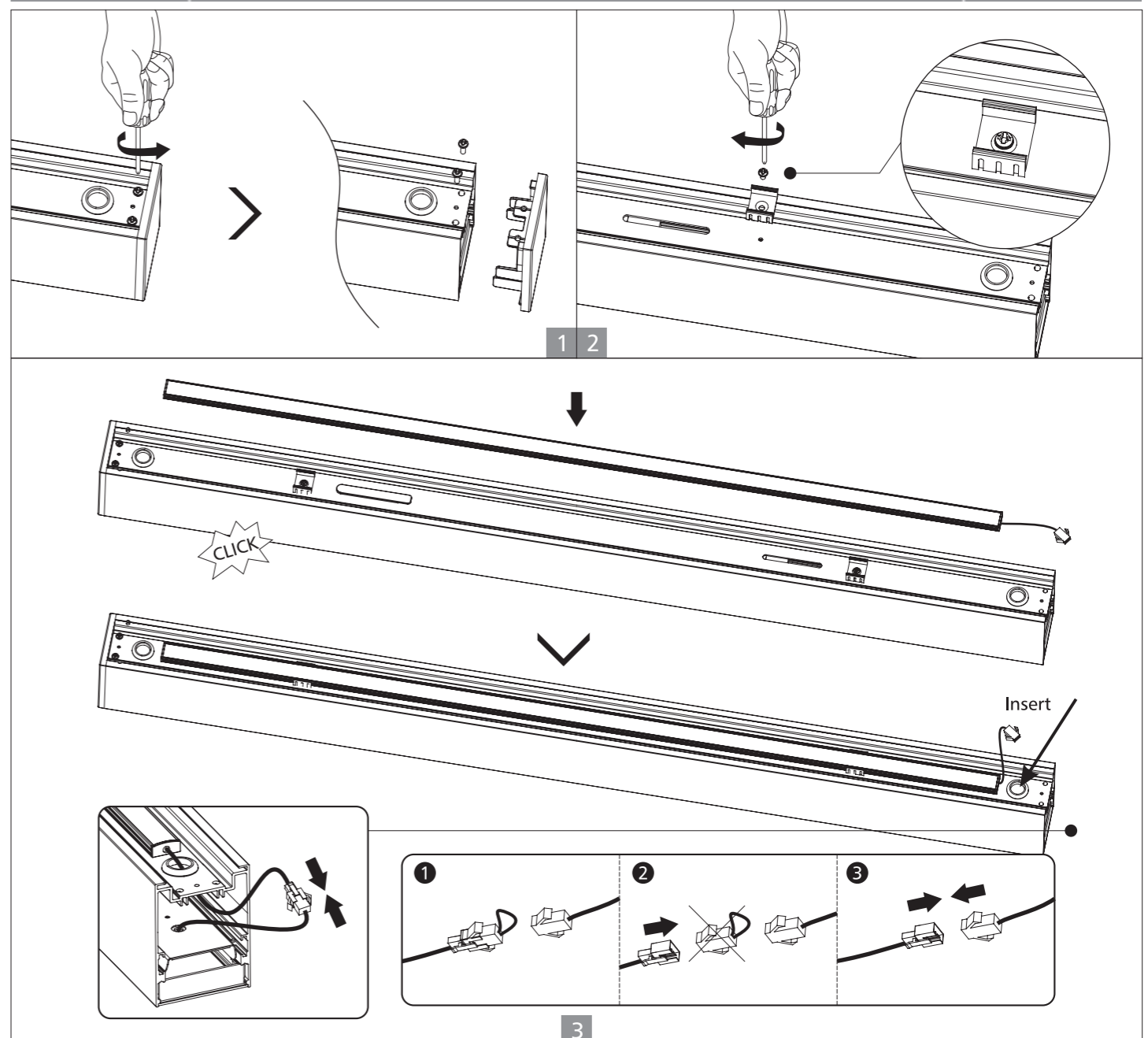
Corner "T"

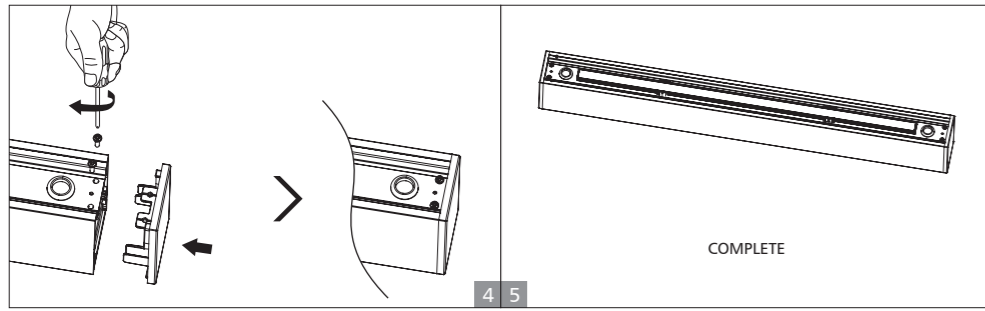


Cross "+"



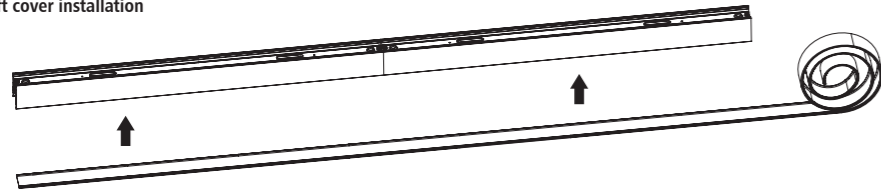
Up & down lighting distribution by adding upward LED module



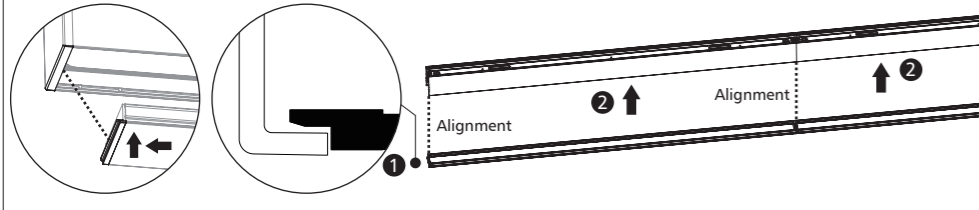


Cover installation

Soft cover installation



Fixed cover installation



ECO
Specifications

STD
Specifications

PRO
Specifications

ODM
Specifications


INT
Intelligent

UPSHINE | *Up to Shine, there is life*
光之上，是生活

▼ www.upshine.com info@upshine.com TEL: +86 755 2919 7332 ▼

Add: 2-5 Floor, 2nd Building, Runheng Industrial Zone, Fuyuan 1st Road(West side), Fuyong Sub-district, Bao'an, Shenzhen, China