

Entry / ECO

Standard / STD

Professional / PRO

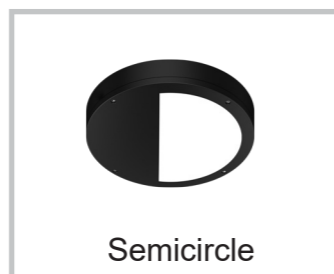
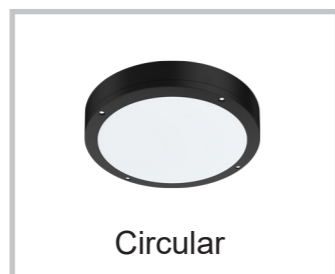
ODM & OEM

Intelligent / INT



LED Ceiling Light

AL91 (S7) Series





Introduction

This ceiling light has multiple shapes: circular, semicircle, square, oval. Adopt high lumen SMD LED and lighter weight fire-rated material to ensure better heat resistance and corrosion resistance. Wall mounted and surface mounted available. The base and shade are detachable which make easier maintenance and installation.

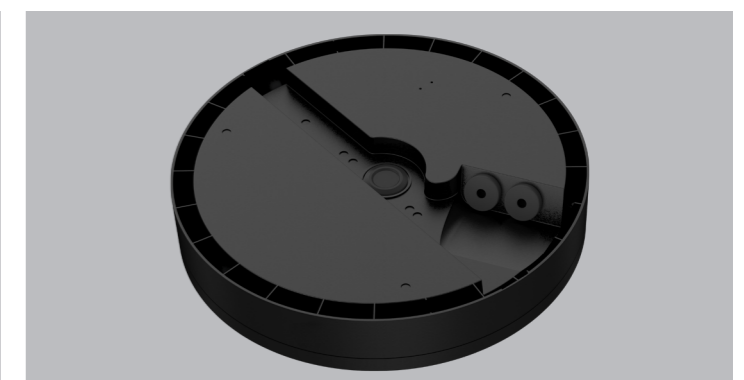
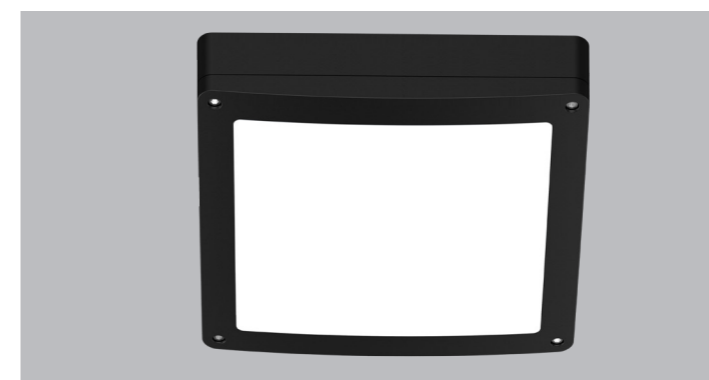
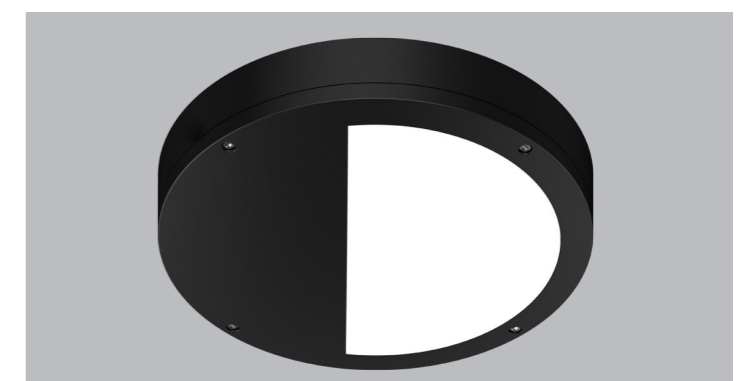
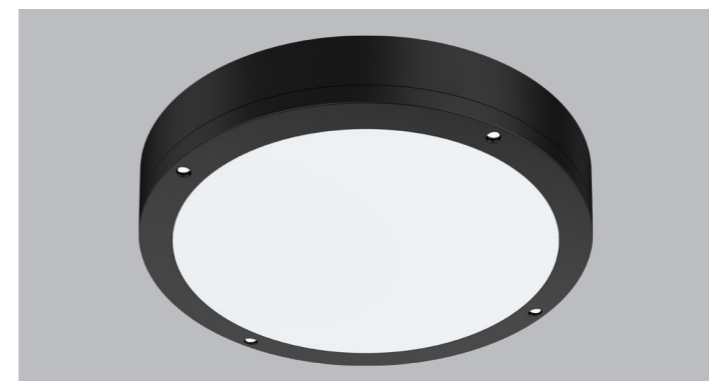
Features

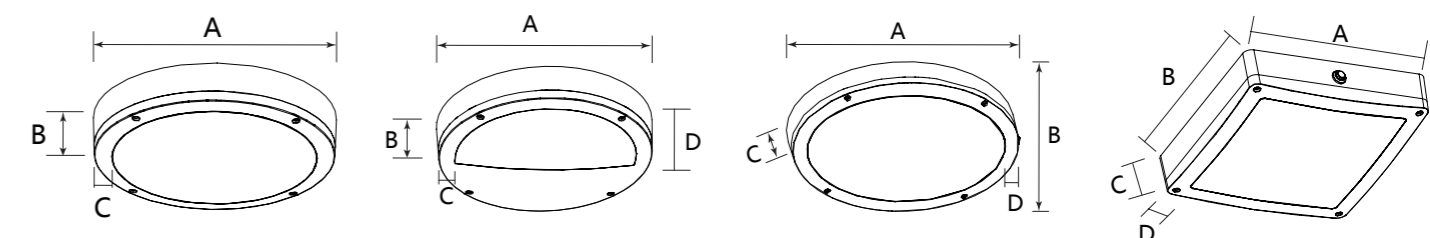
- Multiple shape options: circular, semicircle, square, oval.
- High lumen efficiency, 100lm/W.
- Interchangeable CCT (3000/4000/5700k) with slide switch.
- Interchangeable wattage for round shape only.
- IP65, IK10.

Multiple functions : Microwave sensor , Daylight sensor

Application Areas

It is designed for general lighting applications in office, supermarket, shop, school, hotel, etc. It is also widely used for public areas, such as stairway, lobby, reception, corridors etc.





Technical Data Sheet (1)

Code No.	11"Circular/11"Semicircle		14"Circular		
	AL91-11-12W	AL91-11-18W	AL91-14-25W		
Dimension(mm)	Ø275*59		Ø350*59		
Cutout (mm)	-		-		
Watt(W)	12W	18W	25W		
Rated Input Voltage(V)	AC100-240V				
Input Voltage(V)	AC85-265V				
LED Module Input	-				
Light Source	SMD				
SDCM	<6 (@3000K 4000K 5000K)				
CCT(K)	1-CCT: 3000K/4000K/5000K/5700K 3-CCT: 3000K + 4000K + 5700K				
CCT Selection DIP Switch	YES				
Luminous Flux (lm) ±5%	Non-DIM	1-CCT	1000~1200	1480~1750	2140~2420
			950~1150	1450~1720	2120~2400
	Non-DIM	3-CCT	1000~1250	1480~1780	2140~2450
			950~1200	1480~1750	2120~2430
CRI	≥80				
Beam Angle (°)	110°				
UGR	-				
LED Driver	Built-in				
Dimming Option	NO				
Sensor	Microwave sensor , Daylight sensor				
Emergency Kits	-				
Electrical Class	Class II				
Ingress Protection (IP Rating)	IP65				
Impact Resistance (IK Rating)	IK10				
Product Finishing(Base)	BLACK RAL 9005 / WHITE RAL9016				
Materials of Optics	PC				
Materials of Housing	PC				
Lifetime (hr)	50,000h				
Glow wire test (°C)	750°C (Cover) 850°C (Lamp Base)				
Operating Temp. (°C)	-20°C ~45°C				
Storage Temp. (°C)	-20°C ~65°C				
Installation	Surface mount				

Measurement

Code	Dimension(mm)				Size(mm)	Product Weight (Kg)		Package weight (Kg)		Carton Size(cm)	Qty/CTN	20GP (pcs)	40HQ (pcs)
	A	B	C	D		N.W/PC	G.W/PC	N.W/CTN	G.W/CTN				
11"Circular	Ø275	59	22	-	Ø275*59	0.76	0.92	9.12	12.2	58.5*44*30	12PCS	4032	9408
14"Circular	Ø350	59	26.5	-	Ø350*59	1.19	1.4	7.14	9.4	44*37.5*37.5	6PCS	2880	6804
11"Semicircle	Ø275	59	22	133	Ø275*59	0.77	0.93	9.24	12.3	58.5*44*30	12PCS	4032	9408
12"Oval	320	230	60	22	320*230*60	0.78	0.9	9.36	12	49.5*44*34.5	12PCS	4320	10164
10"Square	242	242	59	23.5	242*242*59	0.72	0.87	8.64	11.6	52.5*44*27	12PCS	5472	12312

Technical Data Sheet (2)

Model No.	10"Square		12"Oval			
	AL91-10-12W	AL91-10-18W	AL91-12-12W	AL91-12-18W		
Dimension(mm)	242*242*59		320*230*60			
Cutout (mm)	-					
Watt(W)	12W	18W	12W	18W		
Rated Input Voltage(V)	AC100-240V					
Input Voltage(V)	AC85-265V					
LED Module Input	-					
Light Source	SMD					
SDCM	<6 (@3000K 4000K 5000K)					
CCT(K)	1-CCT: 3000K/4000K/5000K/5700K 3-CCT: 3000K + 4000K + 5700K					
CCT Selection DIP Switch	YES					
Luminous Flux (lm) ±5%	Non-DIM	1-CCT	1000~1200	1480~1750	1000~1200	1480~1750
			950~1150	1450~1720	950~1150	1450~1720
	Non-DIM	3-CCT	1000~1250	1480~1780	1000~1250	1480~1780
			950~1200	1480~1750	950~1200	1480~1750
CRI	≥80					
Beam Angle (°)	110°					
UGR	-					
LED Driver	Built-in					
Dimming Option	NO					
Sensor	Microwave sensor , Daylight sensor					
Emergency Kits	-					
Electrical Class	Class II					
Ingress Protection (IP Rating)	IP65					
Impact Resistance (IK Rating)	IK10					
Product Finishing(Base)	BLACK RAL 9005 / WHITE RAL9016					
Materials of Optics	PC					
Materials of Housing	PC					
Lifetime (hr)	50,000h					
Glow wire test (°C)	750°C (Cover) 850°C (Lamp Base)					
Operating Temp. (°C)	-20°C ~45°C					
Storage Temp. (°C)	-20°C ~65°C					
Installation	Surface mount					

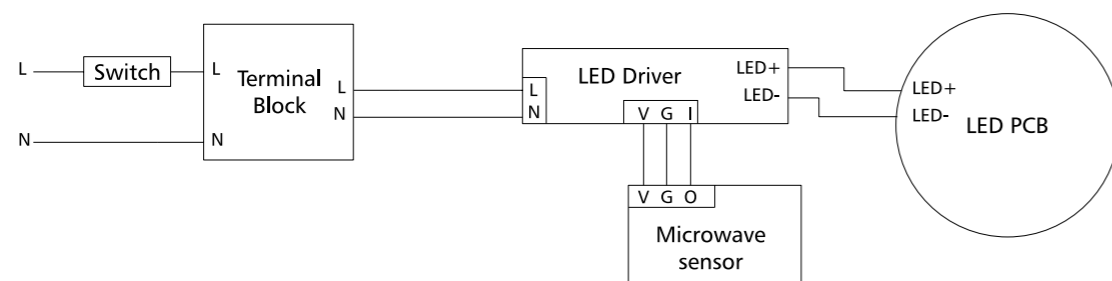
Driver Datasheet(Non-dimmable for sensor)

Total load wattage		12W	18W	25W
Output	Output Voltage range	DC60-75V		
	Rated output current	145mA	220mA	320mA
	Line Regulation	±5%		
	Setup, Rise Time	<0.5S		
	Flickering Index	3%(NO RISK)		
Input	Input Voltage	AC85-265V		
	Rated Input Voltage(V)	AC100-240V		
	Frequency	50/60Hz		
	Input Current	≤0.16A	≤0.24A	≤0.33A
	Rated Input Current	≤0.14A	≤0.2A	≤0.28A
	Power Factor	0.85	0.9	
	THD	<20% @230V		
	Efficiency	≥81%	≥84%	
Protection	No load wattage	<0.7W		
	Short circuit protection	Pass		
	Over voltage protection	Pass		
Safety & EMC	Over temperature protection	Pass		
	Withstand voltage	-		
	Isolation Resistance	-		
	Surge	L-N:500V		L-N:1KV
EMC Emission	EN55015, EN61000-3-2			
EMC Immunity	EN61000-4-2,3,4,5,6,8,11; EN61547			

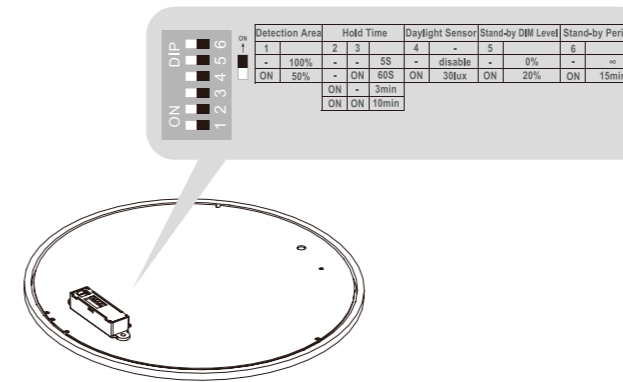
Datasheet (Sensor S7)

Sensor datasheet	
Operating Voltage	DC7-12V
Power consumption	0.5W±0.2W
Microwave frequency	5.8GHz±75MHz, ISM wave band
Transmission power	<0.5mW
Detection angle	140°
Detection Area	4-6M
Hold time	5S/60S/3min/10min
Daylight sensor	30lux/disable
Stand-by DIM Level	0% / 20%
Stand-by Period	15min / ∞
Dimming Range	-
Microwave ON/OFF function	-
Installation Height	Recommended Installation Height: Wall mounted height 1.8m. Ceiling mounted height 3m.
Operating temperature(°C)	-20°C ~60°C

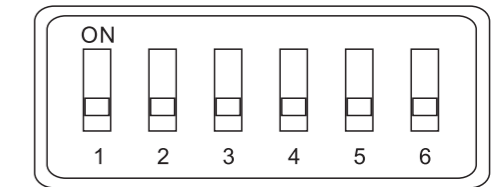
Wiring Diagram



Daylight & Microwave Sensor:



factory setting:



Sensor Setting:

Detection Area	
1	-
-	100%
ON	50%

Hold Time		
2	3	-
-	-	5S
-	ON	60S
ON	-	3min
ON	ON	10min

Daylight Sensor	
4	-
-	disable
ON	30lux

Stand-by DIM Level	
5	-
-	0%
ON	20%

Stand-by Period	
6	-
-	∞
ON	15min

Detection area:

Detection area can be reduced by selecting the combination on the DIP switches to fit precisely each application.

Notice 1: The test is based on a height of 3m, the radius is the ground detect distance, which can be selected through the slide switch.

Notice 2: The detective range is measured by human body whose stature is around 1.6-1.7M with medium size and traveling speed is around 1.0-1.5M per second. If the stature, bodily form and traveling speed are changed, then the detective range will be changed accordingly.

Notice 3: Test result will be highly influenced by test environment, the more open environment, the closer detect distance; the narrower environment, the longer detect distance. The detectormay do self-excitation in a narrow environment.

Hold time:

Refers to the time period the lamp remains at 100% illumination after no motion detected.

Notice 1: The hold time can be selected by the slide switch.

The hold time counting should be started after the sensor is powered on and initialized.

Daylight sensor:

The sensor can be set to only allow the lamp to illuminate below a defined ambient brightness threshold. When set to Disable mode, the daylight sensor will switch on the lamp when motion is detected regardless of ambient light level.

Notice 1: The light threshold can be selected through the slide switch, it may cause a large deviation in different lamps.

Stand-by dimming level:

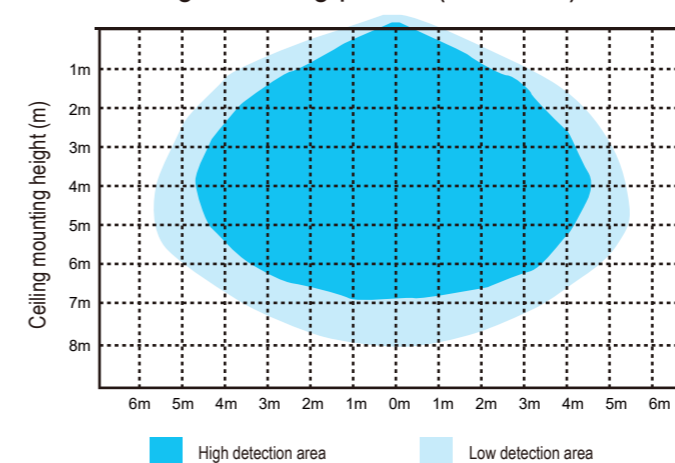
This is the dimmed low light output level you would like to have after the hold-time in the absence of people.

Stand-by period:

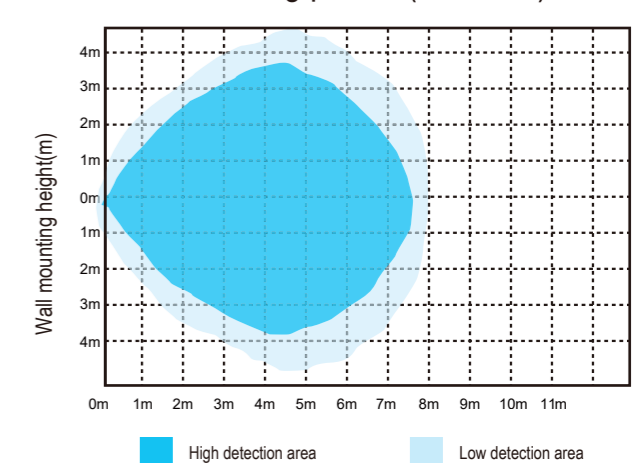
This is the time period you would like to keep at the low light output level before it is completely switched off in the long absence of people.

Induction Range

Ceiling Mounting pattern(Unit: m)



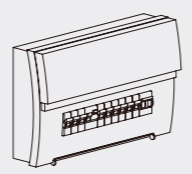
Wall Mounting pattern(Unit: m)



Installation Procedure

WARNING

1. Switch off before installation.
2. Switch on only after complete installation and examination of the circuit.
3. Professional electrician for installation and maintenance only.

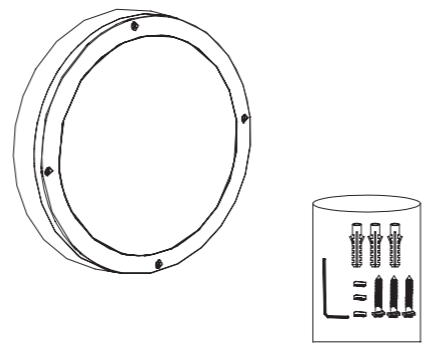


Turn Off Power Supply

Turn Off power supply before starting any installation. Read instructions & check you have all the tools & accessories to complete the installation correctly.

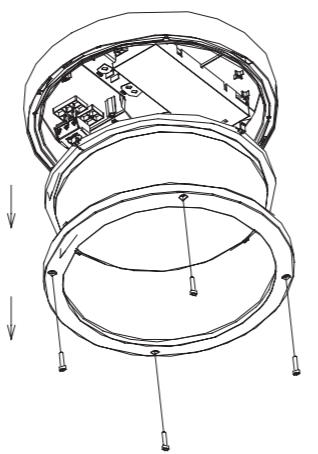
How to install

Step 1



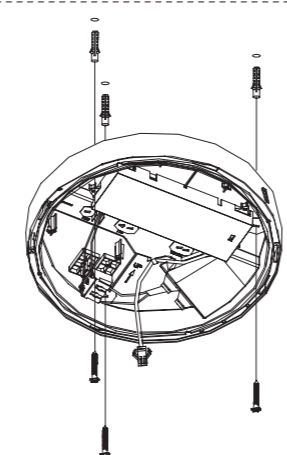
Take out the lamp and accessory pack

Step 2



For round shape only: Unscrew the front frame, take the lamp cover apart by rotating it in anti-clockwise direction. For square and oval shape, Unscrew the front frame and take it out.

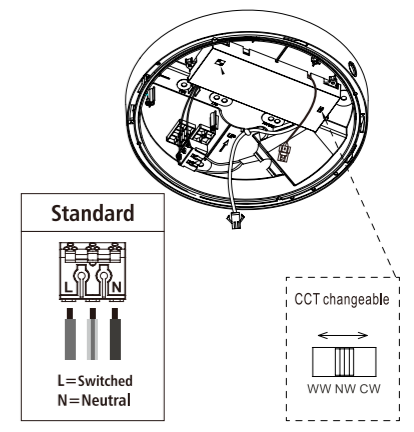
Step 3



Knock-in the plastic anchor into ceiling, fix the base.

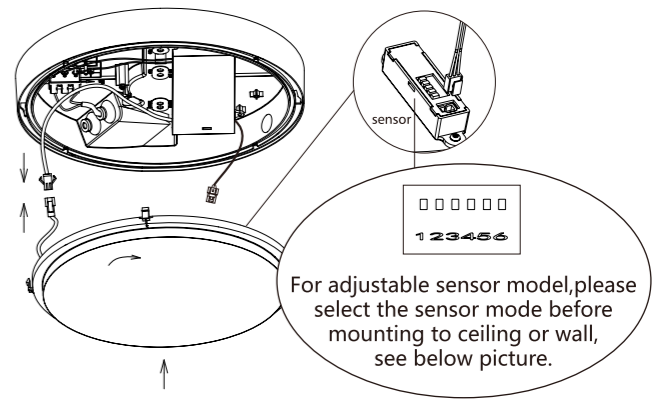
Step 4

Feed the AC wire into terminal block respectively; If with 3CCT, choose preferred CCT.



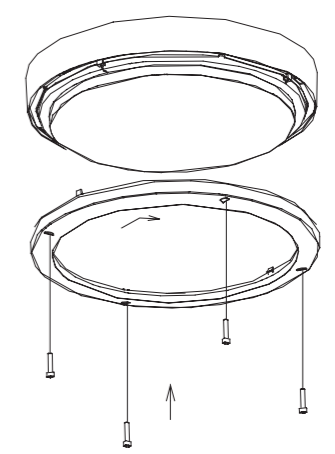
Step 5

Plug the male and female connector. Align the hooks on the lamp cover with the notch of the base, rotate the lamp cover clockwise until they match well. No need to rotate square or oval shape frame, clip the lamp cover directly.



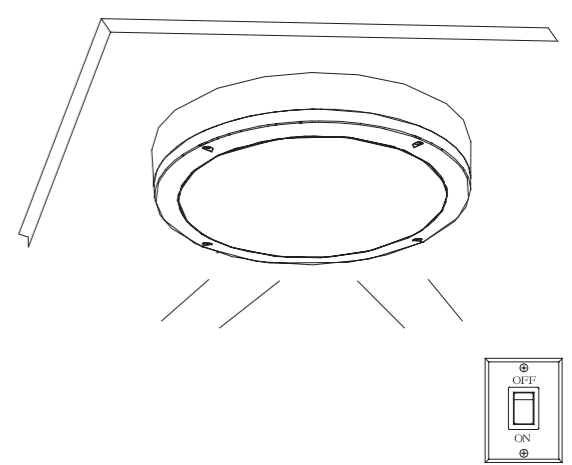
Step 6

Clip the frame into the base, rotate the frame clockwise until they match well, fix frame with screw. (Square and oval shape lamp no rotary buckle, hold the cover and fix it with screw)



Step 7

Switch on.



ECO
Specifications

STD
Specifications

PRO
Specifications

ODM
Specifications


INT
Intelligent

Up to Shine, there is life 光之上，是生活

▼ www.upshine.com info@upshine.com TEL: +86 755 2919 7332 ▼

Add: 2-5 Floor, 2nd Building, Runheng Industrial Zone, Fuyuan 1st Road(West side), Fuyong Sub-district, Bao'an, Shenzhen, China