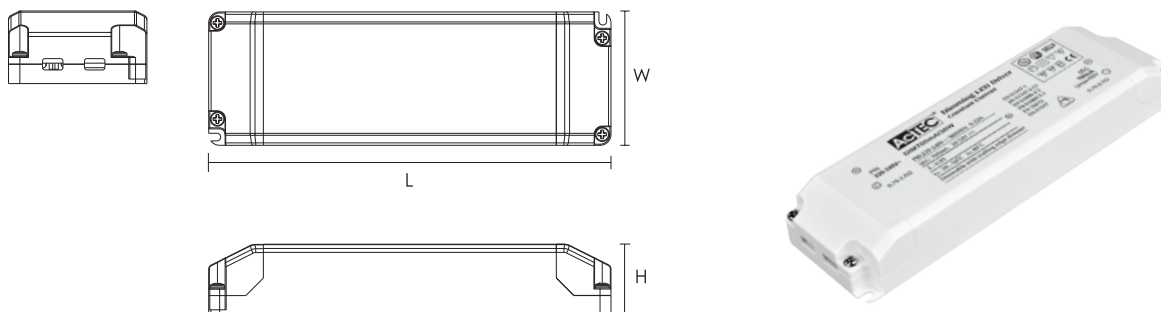


T Series TRIAC Dimming LED Driver

可控硅调光LED驱动器



Model No. 型号	Input voltage 额定电压 (V)	Max. output 功率 (W)	Output current 输出电流 (mA)	Output voltage 输出电压 (V)	Power factor 功率因数 (λ)	Ambient temperature 环境温度 ta (°C)	Max. casing temperature 最大外壳温度 tc (°C)	Isolation 隔离	Dimensions LxWxH 尺寸 (mm)	Weight 重量 (g)
DIM500mA/30W	220-240	30	500	30-52	0.90C	-20...+40	80	SELV	166x52x24	200
DIM700mA/36W	220-240	36	700	24-52	0.90C	-20...+40	80	SELV	166x52x24	200
DIM1050mA/36W	220-240	36	1050	16-35	0.90C	-20...+40	80	SELV	166x52x24	200
DIM1400mA/36W	220-240	36	1400	9-26	0.90C	-20...+40	80	SELV	166x52x24	200

- Dimmable with trailing edge dimmer
- Constant current driver
- Independent compact design
- Captured terminal screws
- Protections: opencircuit, shortcircuit, overload, overtemperature
- Simple installation
- SELV equivalent
- Protection class II
- Dimming range 1...100%
- 适用普通可控硅后切相调光器
- 恒流驱动
- 超小体积, 独立式紧凑型设计
- 螺丝锁紧大接线端子, 方便多规格线接驳
- 输出开路, 短路, 过载和超温保护
- 安装经济便捷
- 符合安全特低电压标准
- 保护等级 II
- 调光范围 1...100%光通量

