

**High PFC Phase cut /Triac dimmable driver-PWM output KVF-TDH series 200W**

Whole Family  
 KVF-xxxxx-TDH 12V 24VDC  
 30W 60W 75W 80W 90W 100W 120W  
 150W 200W 300W 320W 360W



**■Features**

- Output constant voltage
- TUV-CE CB RoHs SAA
- AC input: 200-240VAC
- Power Factor: up to 0.98
- High efficiency : up to 87%
- Dimming range: 0-100%
- Load: 10-100%
- Protection:short circuit/over loading/ Over temperature
- PWM output, does not change the color index
- Full protection aluminum housing, IP66for outdoor or indoor installation
- Flicker-free
- Compatible with with leading edge and trailing edge TRIAC dimmers
- Cooling by free air convection
- Suitable for LED lighting and moving sign applications



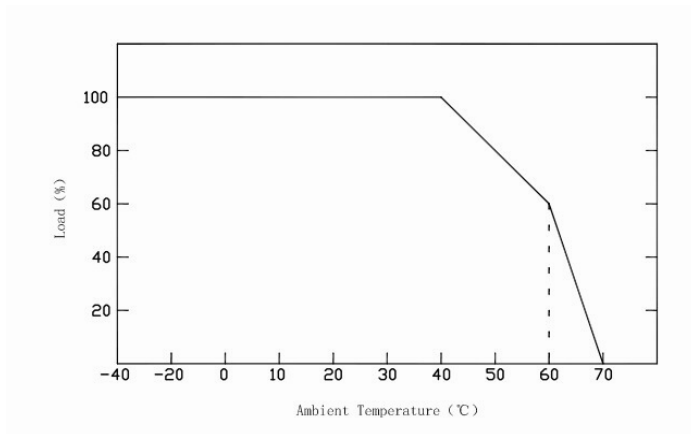
**■Specification**

Model	KVF-12200-TDH		KVF-24200-TDH	
<b>Certificates</b>	TUV-CE CB RoHs SAA		TUV-CE CB RoHs SAA	
<b>Output</b>	DC Voltage	12V	24V	
	Rated Current	16.66A	8.33A	
	Rated Power	200W		
	Voltage Tolerance	±0.5V		
	Voltage Regulation	±0.5%		
	Load Regulation	±2.5%	±1%	
<b>Input</b>	Voltage Range	200-240VAC		
	Frequency Range	47-63Hz		
	Power Factor(Typ.)@ full load	0.97@230VAC	0.98@230VAC	
	THD(Typ.)@ full load	<20%		
	Efficiency(Typ.)@ full load	86%	87%	
	AC Current(Max.)	1.4A@200VAC		
	Inrush Current (Typ.0	55A,50%,220us		
	Leakage current	<0.50mA		
<b>Protection</b>	Short Circuit	shut down o/p voltage, re-power on to recover after fault condition is removed		
	Over Loading	≤120% constant current limiting, auto-recovery		
	Over temperature	100°C±10°C shut down o/p voltage, automatically recover after cooling.		
<b>Environment</b>	Working TEMP.	-40~+60°C (see below derating curve)		
	Working Humidity	20~95% RH, non-condensing		
	Storage TEMP. Humidity	-40~+80°C, 10~95%RH		
	TEMP .coefficient	±0.03%/°C(0~50°C)		
	Vibration	10~500Hz, 5G 10min./1 cycle,period for 60min. each along X,Y,Z axes		
<b>Safety&amp; EMC</b>	Safety standards	EN61347-1 EN61347-2-13		
	Withstand voltage	I/P-O/P:3.75KVAC I/P-FG:1.88KVAC O/P-FG:0.5KVAC		
	Isolation resistance	I/P-O/P:100MΩ/500VDC/25°C/70%RH		
	EMC EMISSION	EN55015,EN61000-3-2,3 (≥60%loading)		
	EMC Immunity	EN61000-4-2,3,4,5,6 ,11,EN61547		
<b>others</b>	Net. Weight	1.5Kg		
	Size	256*78*47mm (L*W*H)		

**High PFC Phase cut /Triac dimmable driver-PWM output KVF-TDH series 200W**

	packing	10PCS/CTN inner box 265*83*65mm ,outside carton 340*280*185mm
<b>Notes</b>	1. All parameters if NOT specially mentioned are measured at 230VAC input , rated load and 25°C of ambient temperature. 2. To extend the driver's using life ,please reduce the loading at lower input voltage.	

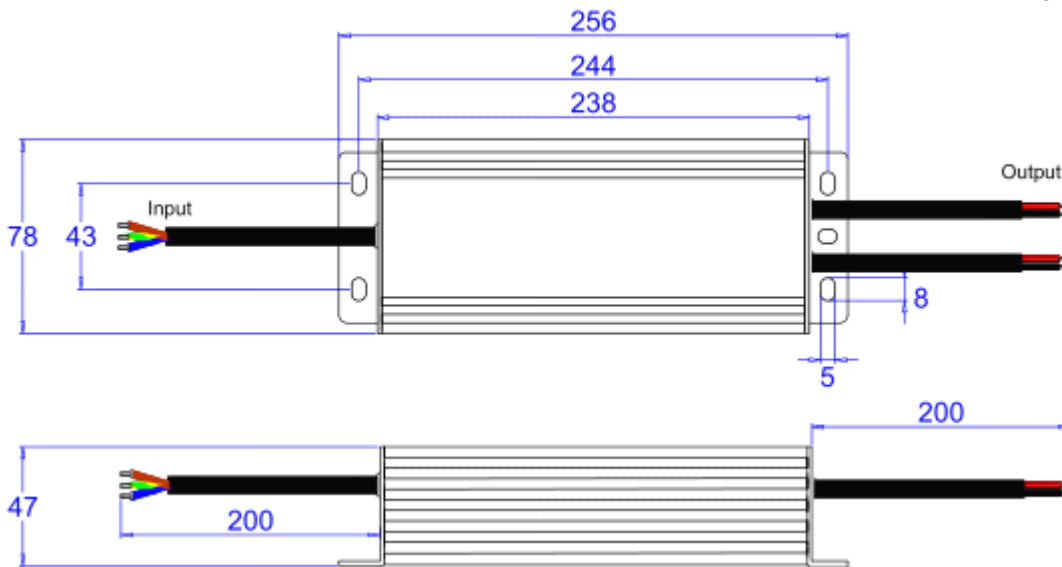
**Derating Curve**



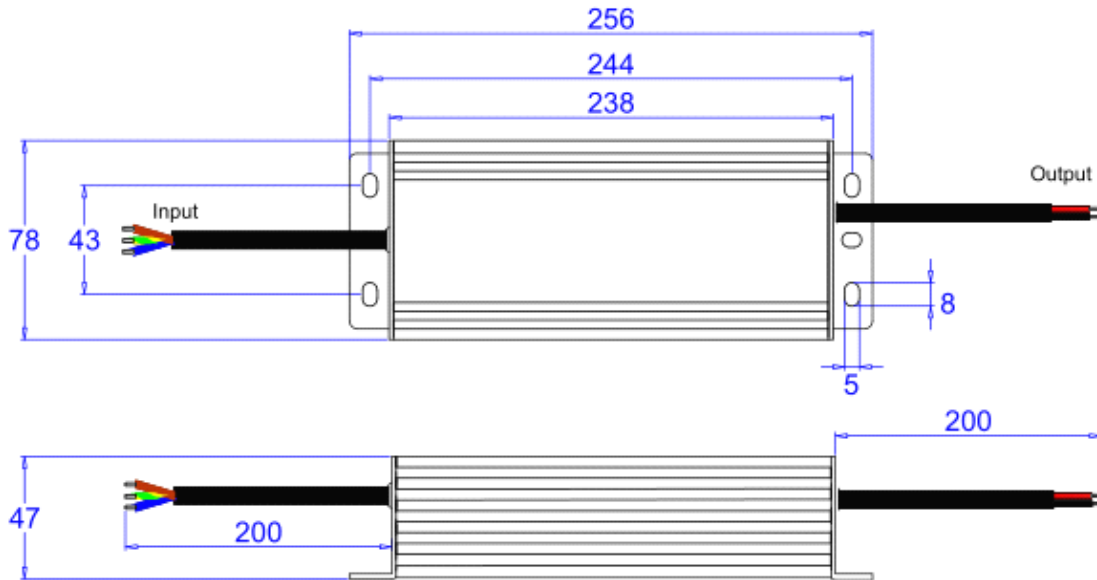
※To extend their life, please refer to the Derating Curve and derate according to the temperature.

**Mechanical Specification**

Unite: mm  
Tolerance:P 0.5-2mm



KVF-12200-TDH



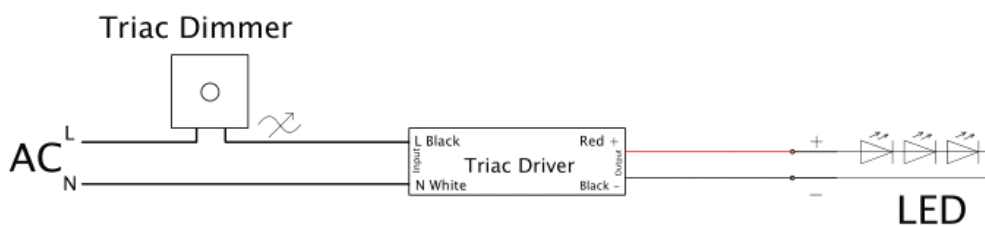
KVF-24200-TDH

- ※Input Rubber cable H05RN-F 3\*1.0mm<sup>2</sup> ,the green /yellow cable connect with (FG),Brown with AC (L),Blue with AC(N)
- ※Output Rubber cable H07RN-F 2\*1.5mm<sup>2</sup>,Red is output(V+) Positive,Black is output (V-) negative.Connected to LED Lamps.
- ※Please make sure you connect these correctly otherwise your product will not function correctly and could be damaged.
- ※Note: If you have any other requests, we can customized for you.

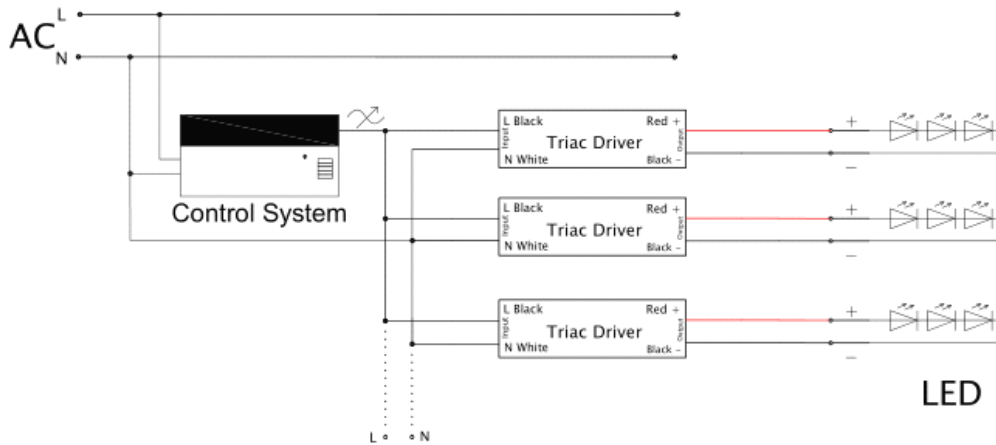
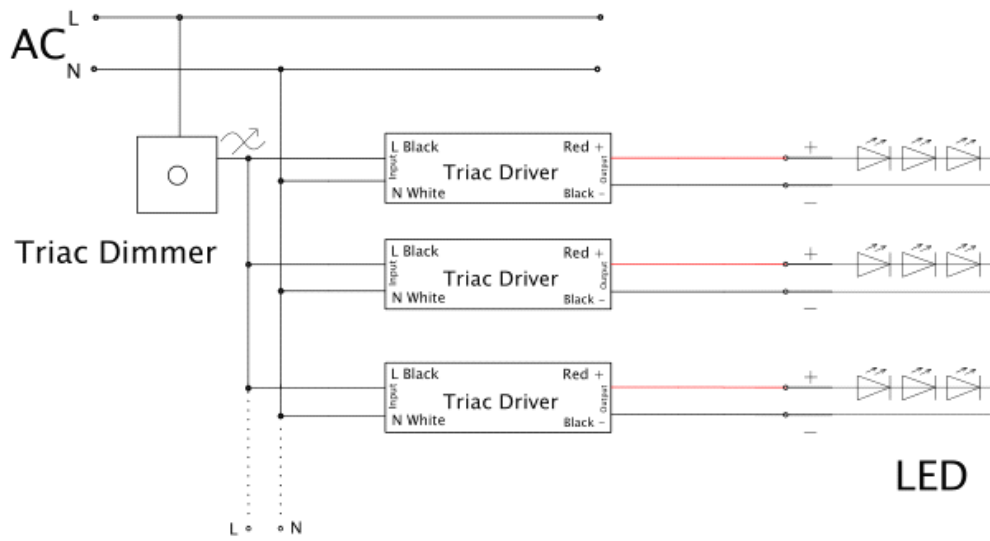
### ■Dimming Operation

- ※The Pulse-Width Modulation (PWM) of output voltage can be adjusted through input terminal of the AC phase line(L) by connection a phase/triac dimmer.
- ※Usually matching with Forward phase , leading edge , Magnetic low voltage, triac dimmers, or Reverse phase, trailing edge ,Electric low voltage Dimmers.
- ※Please try to use dimmers with power at least 1.5 times as the output power of the driver.

### ■ Connecting Diagram



**High PFC Phase cut /Triac dimmable driver-PWM output KVF-TDH series 200W**



**■ Instruction:**

- 1) This driver should be installed by qualified and professional person;
- 2) Please make sure the driver is installed with adequate ventilation around it to allow for heat dissipation.
- 3) Ensure that wiring is correct before test in order to avoid light and power supply damage;
- 4) If driver Cannot work normally, don't maintain privately; Have any question, please contact Zhuhai Shengchang.

Please visit our website or contact us for more information! [www.scpower.net.cn](http://www.scpower.net.cn)