

Hight PFC Phase cut /Triac dimmable driver-PWM output KVF-TDH series 100W

Whole Family
 KVF-xxxxx-TDH 12V 24VDC
 30W 60W 75W 80W 90W 100W 120W
 150W 200W 300W 320W 360W



■Features

- Output constant voltage
- TUV-CE CB RoHs SAA
- AC input: 200-240VAC
- Power Factor: up to 0.97
- High efficiency : up to 84%
- Dimming range: 0-100%
- Load: 10-100%
- Protection:short circuit/over loading/ Over temperature
- PWM output, does not change the color index
- Full protection aluminum housing, IP66for outdoor or indoor installation
- Flicker-free
- Compatible with with leading edge and trailing edge TRIAC dimmers
- Cooling by free air convection
- Suitable for LED lighting and moving sign applications



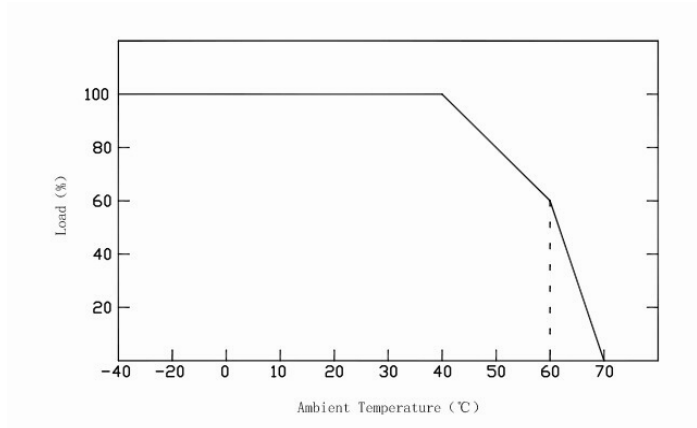
■Specification

Model	KVF-12100-TDH		KVF-24100-TDH	
Certificates	TUV-CE CB RoHs SAA		TUV-CE CB RoHs SAA	
Output	DC Voltage	12V	24V	
	Rated Current	8.33A	4.16A	
	Rated Power	100W		
	Voltage Tolerance	±0.5V		
	Voltage Regulation	±0.5%		
	Load Regulation	±2%	±0.5%	
Input	Voltage Range	200-240VAC		
	Frequency Range	47-63Hz		
	Power Factor(Typ.)@ full load	0.97@230VAC	0.96@230VAC	
	THD(Typ.)@ full load	<20%		
	Efficiency(Typ.)@ full load	83%	84%	
	AC Current(Max.)	0.8A@200VAC		
	Inrush Current (Typ.)	30A,50%,200us		
	Leakage current	<0.50mA		
Protection	Short Circuit	shut down o/p voltage, re-power on to recover after fault condition is removed		
	Over Loading	≤120% constant current limiting, auto-recovery		
	Over temperature	100°C±10°C shut down o/p voltage, automatically recover after cooling.		
Environment	Working TEMP.	-40~+60°C (see below derating curve)		
	Working Humidity	20~95%RH, non-condensing		
	Storage TEMP. Humidity	-40~+80°C, 10~95%RH		
	TEMP .coefficient	±0.03%/°C(0~50°C)		
	Vibration	10~500Hz, 5G 10min./1 cycle,period for 60min. each along X,Y,Z axes		
Safety& EMC	Safety standards	EN61347-1 EN61347-2-13		
	Withstand voltage	I/P-O/P:3.75KVAC I/P-FG:1.88KVAC O/P-FG:0.5KVAC		
	Isolation resistance	I/P-O/P:100MΩ/500VDC/25°C/70%RH		
	EMC EMISSION	EN55015,EN61000-3-2,3 (≥60%loading)		
	EMC Immunity	EN61000-4-2,3,4,5,6 ,11,EN61547		
others	Net. Weight	1.05Kg		
	Size	230*70*43mm (L*W*H)		

Hight PFC Phase cut /Triac dimmable driver-PWM output KVF-TDH series 100W

	packing	10PCS/CTN Inner box 245*75*65mm, outside carton 340*275*170mm
Notes	<p>1. All parameters if NOT specially mentioned are measured at 230VAC input , rated load and 25°Cof ambient temperature.</p> <p>2. To extend the driver's using life ,please reduce the loading at lower input voltage.</p>	

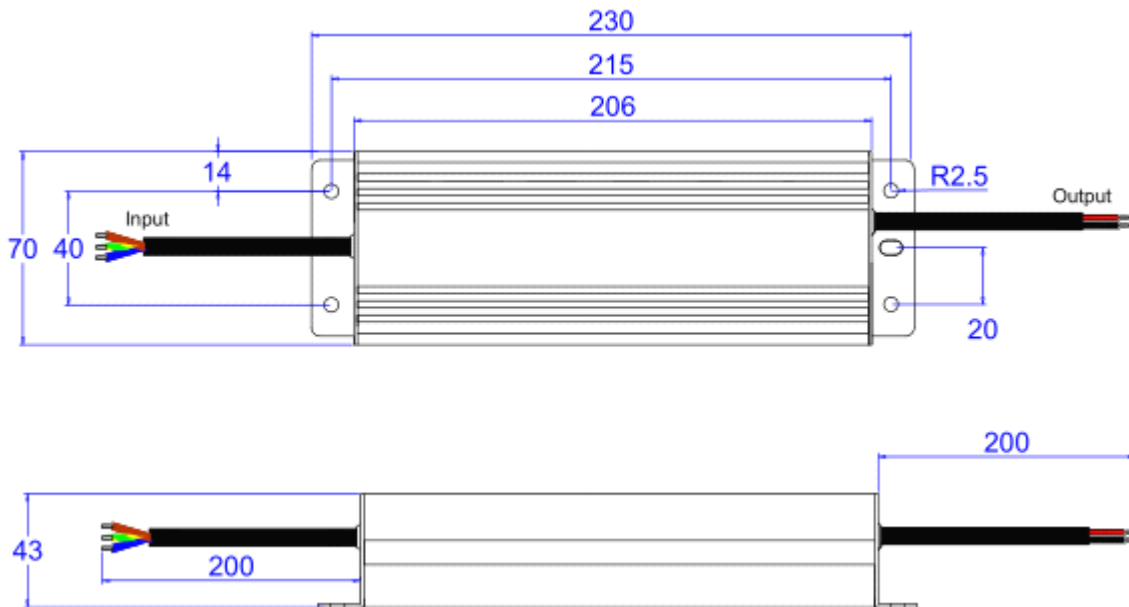
Derating Curve



※To extend their life, please refer to the Derating Curve and derate according to the temperature.

Mechanical Specification

Unite: mm
Tolerance:P 0.5-2mm



- ※Input Rubber cable H05RN-F 3*1.0mm² ,the green /yellow cable connect with (FG),Brown with AC (L),Blue with AC(N)
- ※Output Rubber cable H05RN-F 2*1.0mm²,Red is output(V+) Positive,Black is output (V-) negative.Connected to LED Lamps.
- ※Please make sure you connect these correctly otherwise your product will not function correctly and could be damaged.
- ※Note: If you have any other requests, we can customized for you.

Dimming Operation

※The Pulse-Width Modulation (PWM) of output voltage can be adjusted through input terminal of the AC phase line(L) by connection

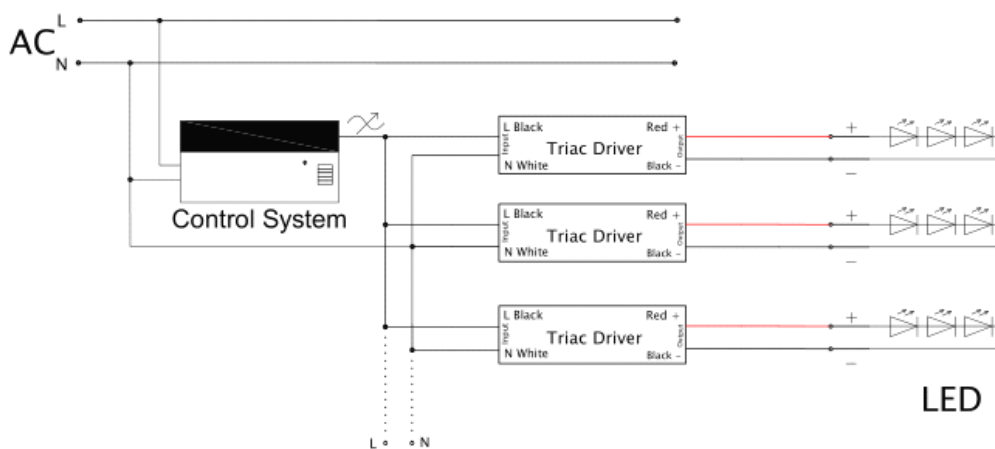
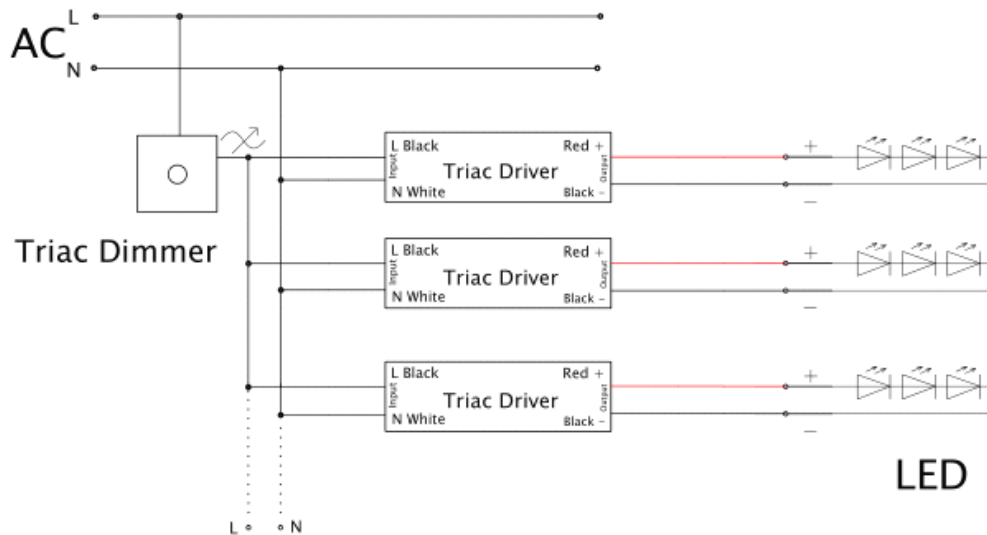
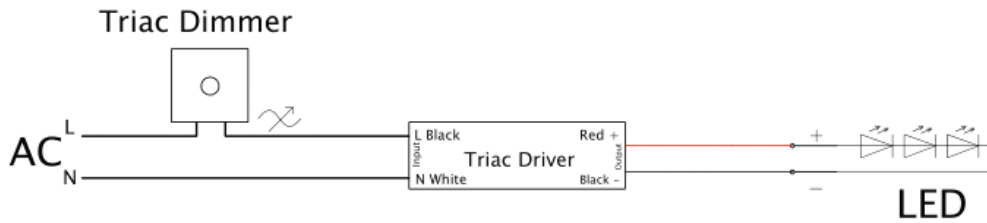
Hight PFC Phase cut /Triac dimmable driver-PWM output KVF-TDH series 100W

a phase/triac dimmer.

※Usually matching with leading edge and trial edge Triac Dimmers both;

※Please try to use dimmers with power at least 1.5 times as the output power of the driver.

■ Connecting Diagram



■ Instruction:

- 1) This driver should be installed by qualified and professional person;
- 2) Please make sure the driver is installed with adequate ventilation around it to allow for heat dissipation.
- 3) Ensure that wiring is correct before test in order to avoid light and power supply damage;



Hight PFC Phase cut /Triac dimmable driver-PWM output KVF-TDH series 100W

4)If driver Cannot work normally, don't maintain privately; Have any question, please contact Zhuhai Shengchang.

Please visit our website or contact us for more information! www.scpower.net.cn