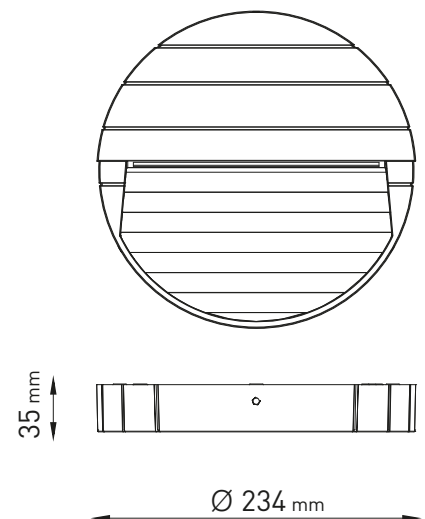
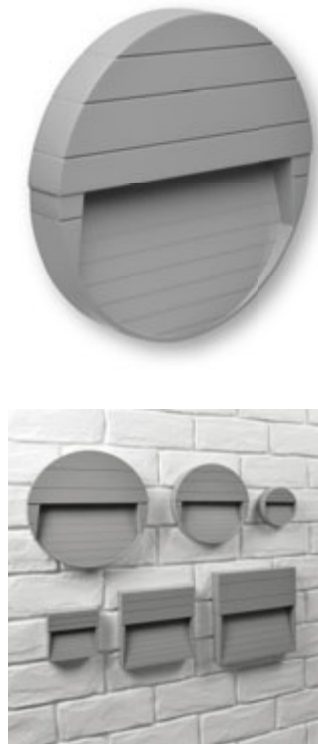


401603 HYDROSURF MEDIUM ROUND LED NEW

Round wall surface-mounted luminaire for outdoor installation on a wall, no recess needed. Phospho-chromatised and polyester powder coated die-cast copper-free aluminium body, tempered safety glass, moulded silicone gasket and stainless steel screws. Built-in LED driver 220-240V 50-60Hz, with 14 mid-power CREE XH-G LED. IP65 rating.

Energy Label A++

- Material: high corrosion resistance die-cast copper-free aluminum body and frame.
- Coating: polyester powder coating with phosphochromating pre-finish
- NR. 14 x CREE XH-G LED
- Electronic transformer 220/240V 50/60Hz included
- Stainless steel screws
- Silicone rubber gasket
- Tempered safety glass
- M16 rubber grommet Rutaseal® in EPDM



	LIGHT SOURCE	LED COLOR*	LIGHT BEAM OPTIONS	LUMEN OUTPUT (lm)	LUMINOUS EFFICACY (lm/w)	COLORS OPTIONS
8 WATT 220-240V 50-60HZ ELECTRONIC IP65 1,40 KG UNIT GROSS WEIGHT	MID-POWER LED	3.000°K WARM-WHITE	FLOOR WASHER 180°	650	81.25	<div style="display: flex; flex-direction: column; gap: 5px;"> <div> TEXTURED GREY</div> <div> MATT WHITE (ON REQUEST)</div> <div> MATT BLACK (ON REQUEST)</div> </div>