

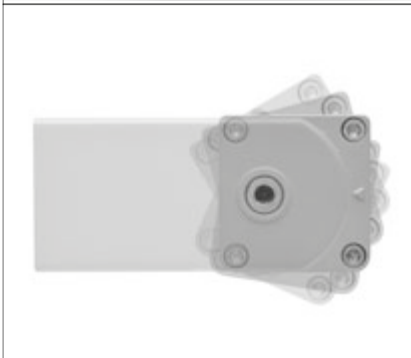
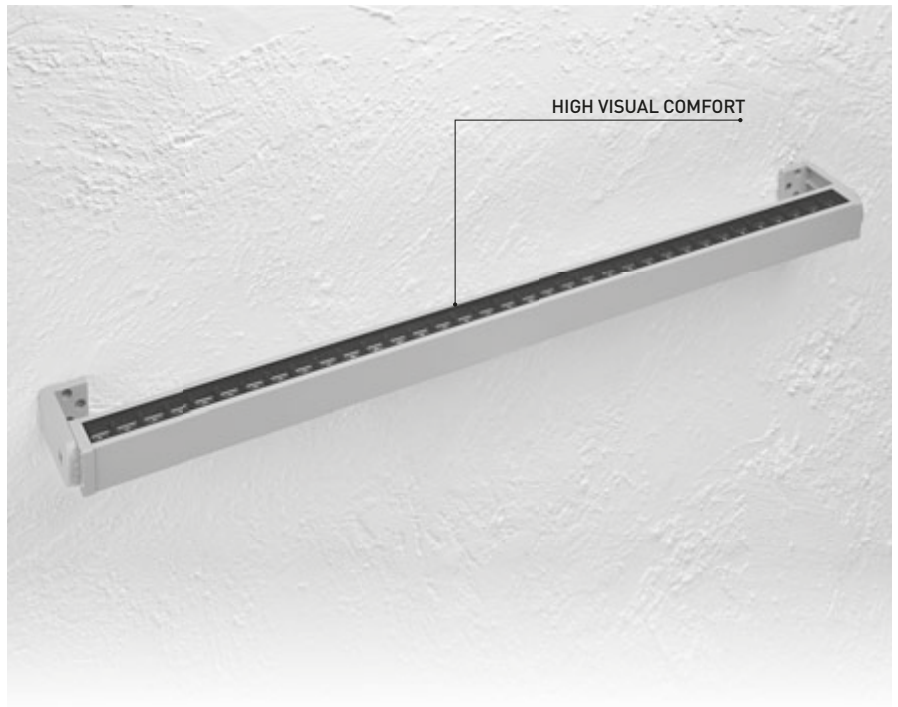
403006 HYDROLINE-B SLIGHT 35 ARMS LED



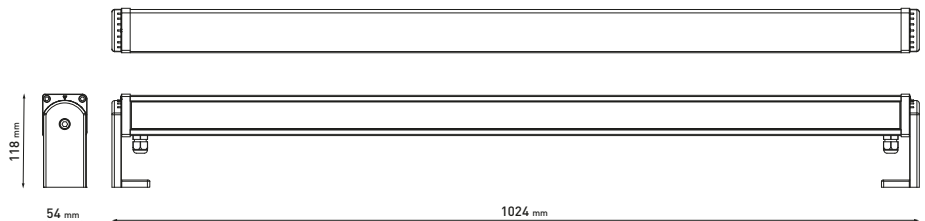
Linear luminaire for outdoor installation on a façade/wall, length 1.000mm, Phosphochromatised and polyester powder coated extruded copper-free aluminium body, tempered safety glass, moulded silicone gaskets. Fixing system through two arms allowing product orientation. Special optics with "invisa-light" technology. Built-in LED driver 220-240V 50-60Hz, with 35 CREE XP-G2 LED. IP67 rating.

Energy Label A++

- Material: high corrosion resistance extruded copper-free aluminum body and arms.
- Coating: polyester powder coating with phosphochromating pre-finish
- NR. 35 x 1 W CREE "XP-G2" LED
- Special optics with "invisa-light" technology
- Electronic transformer 220/240V 50/60Hz included
- Stainless steel screws.
- Silicone rubber gasket.
- Tempered safety glass.
- Max static weight resistance 5000 Kg
- Protection against impact IK09 (10 joule)
- Double M20 cable gland
- 1 mt. neoprene power cable included



DALI VERSION
AVAILABLE ON REQUEST



39 WATT
220-240V 50-60HZ ELECTRONIC
IP67
4,00 KG UNIT GROSS WEIGHT

LIGHT SOURCE	LED COLOR*	LIGHT BEAM OPTIONS	LUMEN OUTPUT (lm)	LUMINOUS EFFICACY (lm/w)	COLORS OPTIONS
HIGH-POWER LED	3.000°K WARM-WHITE	18°	3.502	89.79	TEXTURED GREY
		30°	3.326	85.29	
	4.000°K NEUTRAL-WHITE	18°	3.648	93.54	MATT BLACK (ON REQUEST)
		30°	3.465	88.86	