

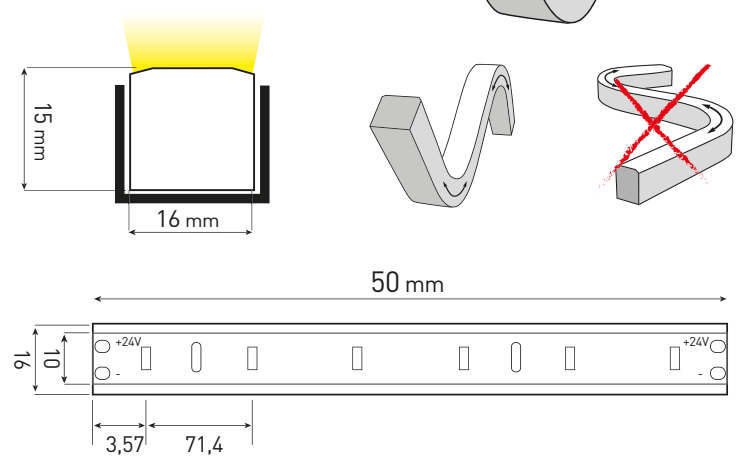
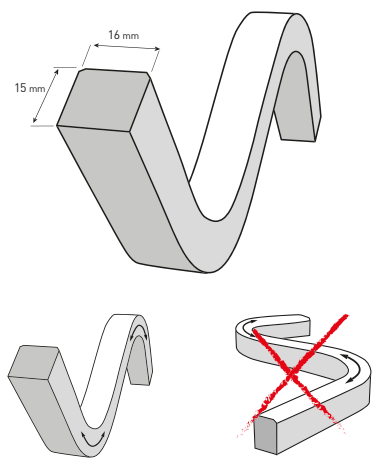
401806-07 HYDROFLEX TOP LED



1.000 / 4.000 mm length, 16mm x 15 mm section, opal encapsulated flexible LED strip for linear lighting (straight or bended) outdoor and indoor wall-recessed installation; surface mounted version through installation accessories to be ordered separately. LED circuit completely encapsulated with UV and high-temperatures resistant Polyurethane sheath, with white (outside) and milky finish (over light emission), dot free and homogeneous light emission surface. Double power cable with male/female connectors included, suitable for in-line installation. Cuttable each 50 mm. Remote driver 24V DC needed. With low-power SMD3014 Lumileds LED. IP68 rating.

Energy Label **A++**

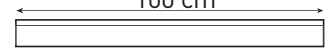
- Material: high performances Polyurethane, UV resistant, saltwater resistant.
- No yellowish after years
- Dot-free and homogeneous light emission.
- 24V DC remote driver needed
- Supplied with Male/Female connectors for in-line installation.



401806 HYDROFLEX TOP 1000 LED



100 cm



| | LIGHT SOURCE | LED COLOR* | LIGHT BEAM OPTIONS | LUMEN OUTPUT (lm) | LUMINOUS EFFICACY (lm/w) | COLORS OPTIONS |
|---------------------------|---------------|-----------------------|--------------------|-------------------|--------------------------|----------------|
| 10 WATT 24V DC IP68 | LOW-POWER LED | 3.000°K WARM-WHITE | DIFFUSED | 750 | 75.00 | MILKY |

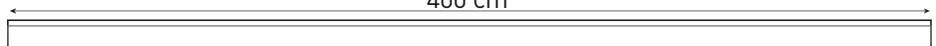
REMOTE DRIVER SELECTION

| BRAND | MANUFACTURER CODE | TYPE | WATT | IP RATE | NUMBERS OF FIXTURES |
|----------|-------------------|-------------------------|------|---------|---------------------|
| MEANWELL | LPV-20-24 | CONSTANT VOLTAGE 24V DC | 20W | IP67 | 1 |
| MEANWELL | LPV-35-24 | CONSTANT VOLTAGE 24V DC | 35W | IP67 | MIN 1 - MAX 2 |
| MEANWELL | LPV-60-24 | CONSTANT VOLTAGE 24V DC | 60W | IP67 | MIN 1 - MAX 5 |
| MEANWELL | LPV-100-24 | CONSTANT VOLTAGE 24V DC | 100W | IP67 | MIN 1 - MAX 9 |

401807 HYDROFLEX TOP 4000 LED



400 cm



| | LIGHT SOURCE | LED COLOR* | LIGHT BEAM OPTIONS | LUMEN OUTPUT (lm) | LUMINOUS EFFICACY (lm/w) | COLORS OPTIONS |
|---------------------------|---------------|-----------------------|--------------------|-------------------|--------------------------|----------------|
| 40 WATT 24V DC IP68 | LOW-POWER LED | 3.000°K WARM-WHITE | DIFFUSED | 2.250 | 75.00 | MILKY |

REMOTE DRIVER SELECTION

| BRAND | MANUFACTURER CODE | TYPE | WATT | IP RATE | NUMBERS OF FIXTURES |
|----------|-------------------|-------------------------|------|---------|---------------------|
| MEANWELL | LPV-60-24 | CONSTANT VOLTAGE 24V DC | 60W | IP67 | 1 |
| MEANWELL | LPV-100-24 | CONSTANT VOLTAGE 24V DC | 100W | IP67 | MIN 1 - MAX 2 |

AC034 MOUNTING CLIP FOR HYDROFLEX TOP



Mounting clip for Hydroflex Top, realized in Stainless steel, clip to be applied every 40 cm, to secure with screws. Ideal for bended installation on a wall or ceiling.



AC035 ALUMINUM LINEAR PROFILE FOR HYDROFLEX TOPSIDE



1.000 mm Linear profile for Hydroflex Top, realized in Anodized aluminum, supplied with nr. 2 clips to be applied every 40 cm, to secure with screws. Ideal for straight installation on a wall or ceiling.



AC036 END CAP FOR HYDROFLEX TOP



End cap for Hydroflex Top, realized in Polyurethane, to be applied at the end of the line, after Hydroflex cut.

