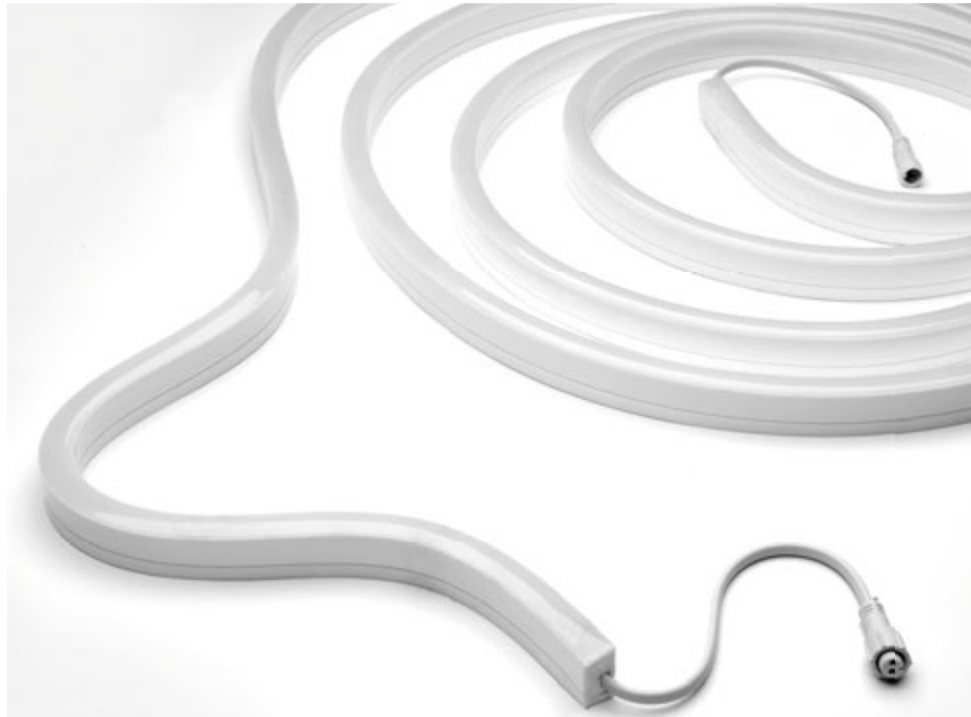


401804-05 **HYDROFLEX SIDE LED**

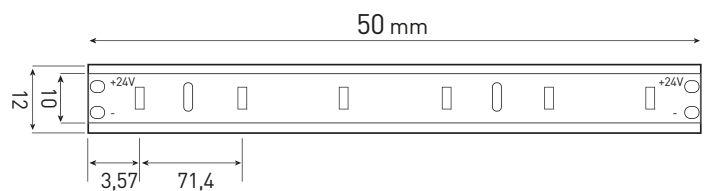
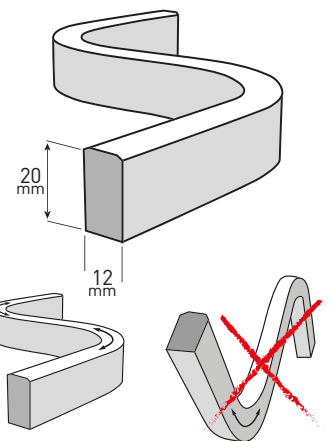
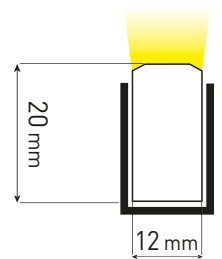


1.000 / 4.000 mm length, 20mm x 12mm section, opal encapsulated flexible LED strip for linear lighting (straight or bended) outdoor and indoor wall-recessed installation; surface mounted version through installation accessories to be ordered separately. LED circuit completely encapsulated with UV and high-temperatures resistant Polyurethane sheath, with white (outside) and milky finish (over light emission), dot free and homogeneous light emission surface. Double power cable with male/female connectors included, suitable for in-line installation. Cuttable each 50 mm. Remote driver 24V DC needed. With low-power SMD3014 Lumileds LED. IP68 rating.



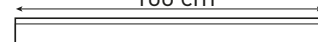
Energy Label **A++**

- Material: high performances Polyurethane, UV resistant, saltwater resistant.
- No yellowish after years
- Dot-free and homogeneous light emission.
- 24V DC remote driver needed
- Supplied with Male/Female connectors for in-line installation.



401804 HYDROFLEX SIDE 1000 LED **NEW**

100 cm



AVAILABLE ON REQUEST

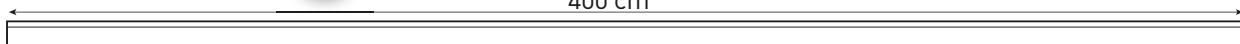
	LIGHT SOURCE	LED COLOR*	LIGHT BEAM OPTIONS	LUMEN OUTPUT (lm)	LUMINOUS EFFICACY (lm/w)	COLORS OPTIONS
10 WATT 24V DC IP68	LOW-POWER LED	3.000°K WARM-WHITE	DIFFUSED	750	75.00	<input type="checkbox"/> MILKY

REMOTE DRIVER SELECTION

BRAND	MANUFACTURER CODE	TYPE	WATT	IP RATE	NUMBERS OF FIXTURES
MEANWELL	LPV-20-24	CONSTANT VOLTAGE 24V DC	20W	IP67	1
MEANWELL	LPV-35-24	CONSTANT VOLTAGE 24V DC	35W	IP67	MIN 1 - MAX 2
MEANWELL	LPV-60-24	CONSTANT VOLTAGE 24V DC	60W	IP67	MIN 1 - MAX 5
MEANWELL	LPV-100-24	CONSTANT VOLTAGE 24V DC	100W	IP67	MIN 1 - MAX 9

401805 HYDROFLEX SIDE 4000 LED **NEW**

400 cm



AVAILABLE ON REQUEST

	LIGHT SOURCE	LED COLOR*	LIGHT BEAM OPTIONS	LUMEN OUTPUT (lm)	LUMINOUS EFFICACY (lm/w)	COLORS OPTIONS
40 WATT 24V DC IP68	LOW-POWER LED	3.000°K WARM-WHITE	DIFFUSED	2.250	75.00	<input type="checkbox"/> MILKY

REMOTE DRIVER SELECTION

BRAND	MANUFACTURER CODE	TYPE	WATT	IP RATE	NUMBERS OF FIXTURES
MEANWELL	LPV-60-24	CONSTANT VOLTAGE 24V DC	60W	IP67	1
MEANWELL	LPV-100-24	CONSTANT VOLTAGE 24V DC	100W	IP67	MIN 1 - MAX 2

AC031 MOUNTING CLIP FOR HYDROFLEX SIDE **NEW**

Mounting clip for Hydroflex Side realized in Stainless steel, clip to be applied every 40 cm, to secure with screws. Ideal for bended installation on a wall or ceiling.



AC032 ALUMINUM LINEAR PROFILE FOR HYDROFLEX SIDE **NEW**

1.000 mm Linear profile for Hydroflex Side, realized in Anodized aluminum, supplied with nr. 2 clips to be applied every 40 cm, to secure with screws. Ideal for straight installation on a wall or ceiling.



AC033 END CAP FOR HYDROFLEX SIDE **NEW**

End cap for Hydroflex Side, realized in Polyurethane, to be applied at the end of the line, after Hydroflex cut.

