

Technical data sheet


All right reserved Landa illuminotecnica S.p.A.
will reserve to change the specific note without
any written notice.

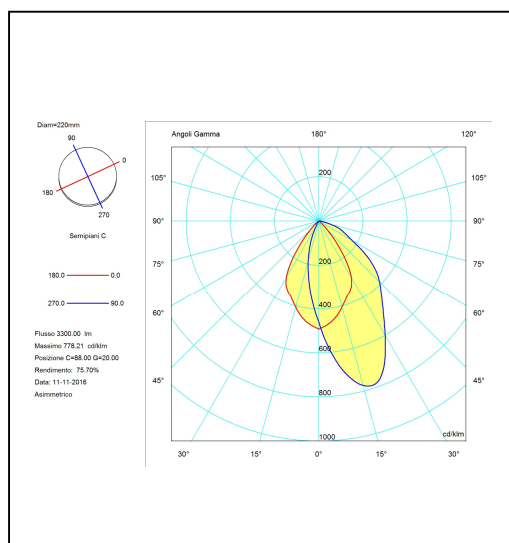
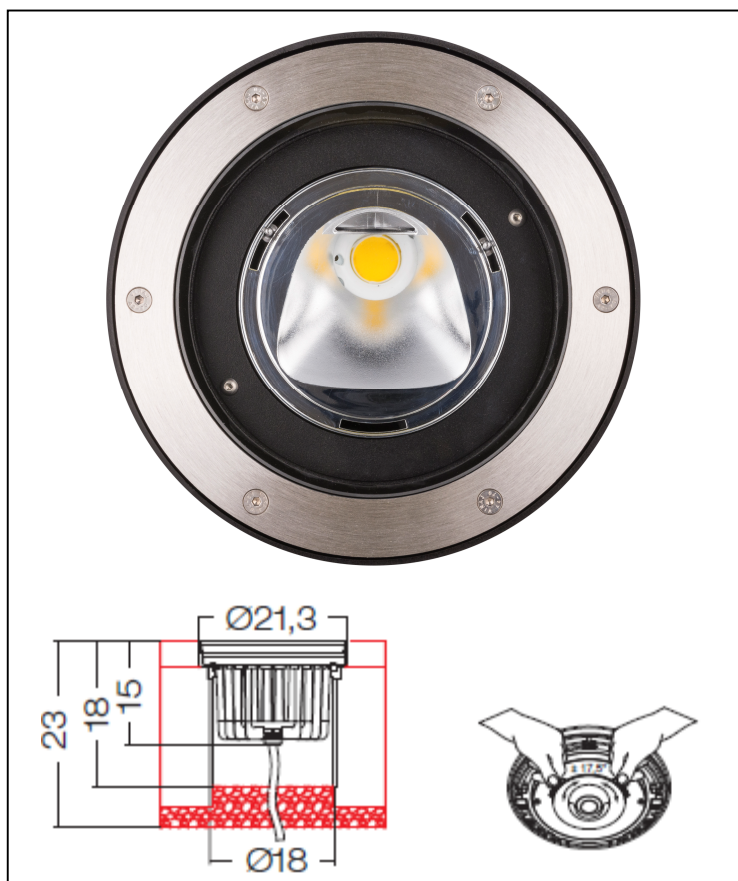
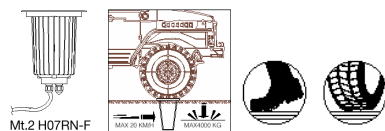
LANDA[®]
illuminotecnica

Mira 220

| |
|--|
| Article 5533LA20H |
| Product type driveover |
| Body material Die-casting aluminium EN47100, prior the painting process, washed with stones. Painting made by polyester powder with high resistant against oxidation. |
| Tempered glass diffuser in transparent or sand blasted finish 19mm thick for driveway environments and silicon gasket. |
| Reflector in aluminium anodized. Screws in A2 stainless steel |
| Recessed box is in a high density polyethylene with a security ring in nylon material loaded with 30% glass fibre. |
| RING IN STAINLESS STEEL AISI 316L 4 mm THICKNESS |
| Transformer not requested AC 220/240V |

IK10
IP67
Powered by
Citizen Electronics
2280LM – 1700 lx at 1mt
20W 220 - 240V
3000K RA80
Dimmable: Yes-Triac

 Asymmetric 15°



Also available with:

cod. **0201001.19B**
vetro opale/opal glass/
verre opale/vidrio ópalo/Glas opal

cod. **0201001.19A**
vetro antiscivolo/non-slip glass/
verre anti dérapant/cristal antiresbaladizo/
rutschhemmendes Glas

Antivandalism set



X6
00KAV04

X1
0303CA3