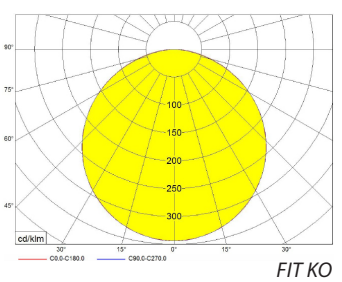
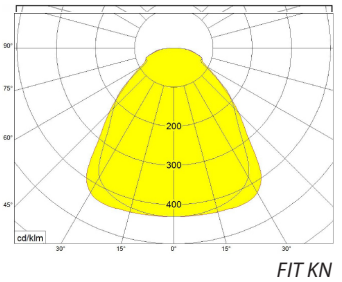


FIT IP65



		LED	220-240 V 50-60 Hz	SDCM 3	DIMM		EN 62471 RG 0
	UGR <19	IP 65	CRI 80	CRI 90+	EEC A+	80000 L80B50	

η_{ef} (lm/W)
108-120



LED panel

Body:
White painted (RAL 9003) aluminium frame

Optic:
Transluce acrylic desk
KO – opal cover
KN – microprismatic cover

Version (body shape):
FIT..A 600 (625) – square 600x600 mm (625x625)
FIT..B 600 – rectangle 600x300 mm
FIT..C 600 – rectangle 1200x300 mm

Installation way:
FIT – recessed installation into modular ceiling 600 or 625 mm.
Using accessories the panel can be also installed as surface or recessed into a gypsum plasterboard.

Accessories:
QVESTRAM – white painted aluminium frame for recessed installation into a gypsum plasterboard
RAM100 - aluminium frame for surface installation

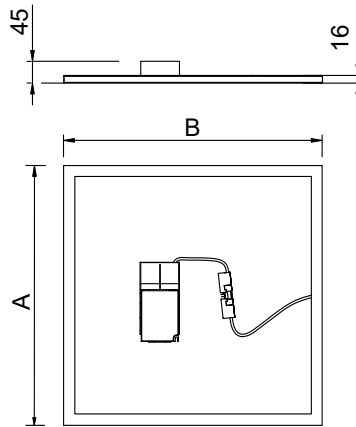
Version:
FIT.../IP65... complete IP65 protection
FIT.../IP6520... IP65 protection only from bottom side after installation.

2200	2700	3000	4000	5700	6500	MIX	RGB	
✗	○	○	●	○	○	○	✗	✗
●	✗	○	○	○	✗	○	○	●

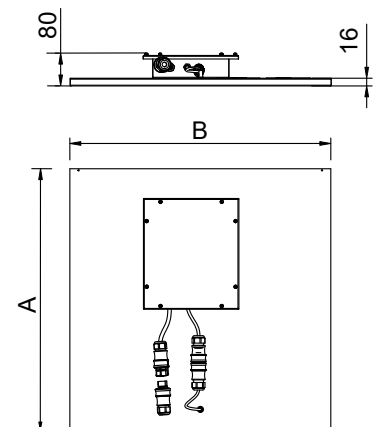
● default ○ optional ✗ not possible



FIT	4000	A	3	KN	600	/ND	/IP65
Typ svítidla							
Light output							
Body shape.							
A - square - 600x600 mm							
C - rectangle - 300x1200 mm							
Color temperature.							
2 = 2700 K							
3 = 3000 K							
4 = 4000 K							
5 = 5700 K							
Cover type:							
KN – cover prizma							
KO – cover opal							
Modul							
600							
625							
Driver type:							
ND – no dimmable							
DALI – dimmable DALI							
Version.							
IP65 - complete IP65 protection							
IP6520 - IP65 protection only from bottom side after installation							



FIT IP65/20



FIT IP65

FIT	W	lm		modul 600		modul 625		kg	
		KO	KN	A	B	A	B	IP65	IP6520
FIT3000A	23	2 700	2 750	596	596	622	622	8,5	5,0
FIT4000A	35	4 100	4 200						
FIT5000A	49	5 100	5 300						
FIT6000A	57	6 100	6 300						
FIT2000B	20	1 900	2 000						
FIT4000B	30	2 800	3 000	296	-	-	-	-	-
FIT3000C	23	2 600	2 600	1196	296	1246	310	8,5	5,0
FIT4000C	35	4 000	4 100						
FIT5000C	49	5 000	5 100						
FIT6000C	57	5 900	6 100						
FIT3000A / 90	24	x	2 400	596	596	622	622	8,5	5,0
FIT4000A / 90	35	x	3 700						
FIT5000A / 90	49	x	4 600						
FIT6000A / 90	57	x	5 400						

lm - luminaire light output

Due to MODUS program of products development a data can be changed without notice. Luminous flux and connected electrical load are subject to an initial tolerance of up to + / - 10%. Color temperature is subject to a tolerance of up to +/-150 K from the nominal value. The failure of 1 LED points causes no functional impairment to the lighting performance of the luminaire and is therefore no reason for complaint.