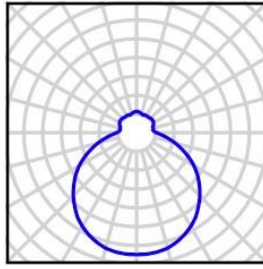


EDNA 1,2,3,4,5 WITH LED MODULE L02A

Applications: housing constructions (rooms, corridors), cultural premises
Assembly: to the ceiling or on the wall



Technical data:

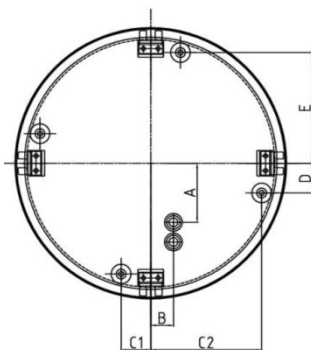
Light source	LED module Osmont L02A
Chromacity temperatures	3000K, 4000K
CRI	3000K Ra>80, 4000K Ra>70
LED driver	Tridonic 10-60W SELV
Input voltage	230V
IP	IP 43
Fixtures	Sheet steel modified by powder painting
Shade	Three-layer, hand blown glass - TRIPLEX OPAL matt
Shade attachment	With two-step clamp holders

Variants:

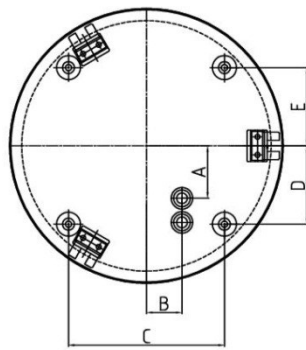
	Type	Diameter x Height [mm]	Luminous flux [lm]		Input [W]	Possibility HF (motion sensor)
			3000K	4000K		
EDNA 1	LED-2L02A07K2/020	220x105	920	990	11	-
EDNA 2	LED-3L02A07K53/022	280x105	1380	1470	15	✓
	LED-3L02A10K53/022		1850	1970	23	✓
EDNA 3	LED-4L02A07K64/024	350x105	1840	1970	20	✓
	LED-4L02A10K64/024		2460	2630	30	✓
EDNA 4	LED-5L02A10K75/026	420x115	3080	3280	37	✓
EDNA 5	LED-6L02A10K88/028	490x115	3700	3940	43	✓

Assembly dimensions:

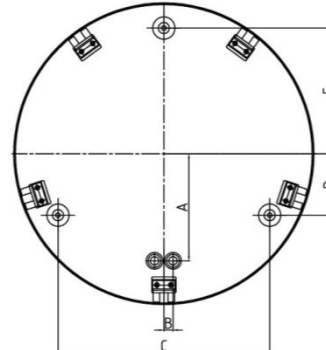
	Diameter fixture [mm]	A [mm]	B [mm]	C [mm]	C1 [mm]	C2 [mm]	D [mm]	E [mm]
EDNA 1	173	25	16	122	-	-	30	30
EDNA 2	228	43	30	130	-	-	65	65
EDNA 3	275	60	23	-	30	112	30	112
EDNA 4	324	115	10	228	-	-	66	135
EDNA 5	372	145	10	220	-	-	110	110



EDNA 3



EDNA 1,2,5



EDNA 4