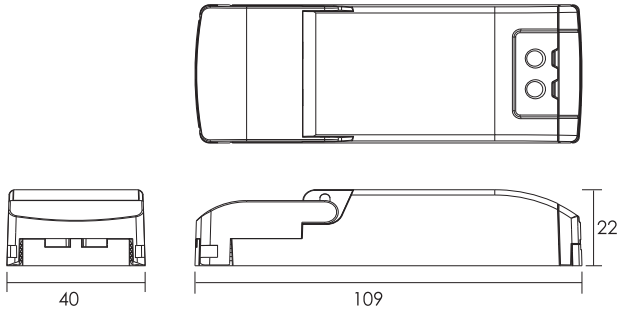


NT Series TRIAC Dimming LED Driver

可控硅调光LED驱动器



Model No. 型号	Input voltage 额定电压 (V)	Max. output power 功率 (W)	Output current 输出电流 (mA)	Output voltage 输出电压 (V)	Power factor 功率因数 (λ)	Efficiency full load 效率 (%)	No-load power 空载功率 (W)	Ambient temperature 环境温度 ta (°C)	Max. casing temperature 最大外壳温度 tc (°C)	Isolation 隔离	Dimensions LxWxH 尺寸 (mm)	Weight 重量 (g)
D30008NT	220-240	8	300	13-26	0.95	82	<1.0	-20...+50	80	SELV	109x40x22	70
D17009NT	220-240	9	170	27-53	0.95	83	<1.0	-20...+50	80	SELV	109x40x22	70
D18009NT	220-240	9	180	25-50	0.95	83	<1.0	-20...+50	80	SELV	109x40x22	70
D20009NT	220-240	9	200	23-45	0.95	83	<1.0	-20...+50	80	SELV	109x40x22	70
D23009NT	220-240	9	230	20-40	0.95	82	<1.0	-20...+50	80	SELV	109x40x22	70
D25009NT	220-240	9	250	18-36	0.95	82	<1.0	-20...+50	80	SELV	109x40x22	70
D26009NT	220-240	9	260	18-35	0.95	82	<1.0	-20...+50	80	SELV	109x40x22	70
D30009NT	220-240	9	300	15-30	0.95	82	<1.0	-20...+50	80	SELV	109x40x22	70
D35009NT	220-240	9	350	13-26	0.95	82	<1.0	-20...+50	80	SELV	109x40x22	70
D48009NT	220-240	9	480	9-19	0.95	81	<1.0	-20...+50	80	SELV	109x40x22	70
D50009NT	220-240	9	500	9-18	0.95	81	<1.0	-20...+50	80	SELV	109x40x22	70
D60009NT	220-240	9	600	8-15	0.95	80	<1.0	-20...+50	80	SELV	109x40x22	70
D70009NT	220-240	9	700	7-13	0.95	80	<1.0	-20...+50	80	SELV	109x40x22	70
D22012NT	220-240	12	220	27-55	0.95	83	<1.0	-20...+50	80	SELV	109x40x22	70
D25012NT	220-240	12	250	24-48	0.95	82	<1.0	-20...+50	80	SELV	109x40x22	70
D26012NT	220-240	12	260	23-46	0.95	83	<1.0	-20...+50	80	SELV	109x40x22	70
D30012NT	220-240	12	300	20-40	0.95	83	<1.0	-20...+50	80	SELV	109x40x22	70
D35012NT	220-240	12	350	18-35	0.95	82	<1.0	-20...+50	80	SELV	109x40x22	70
D50012NT	220-240	12	500	12-24	0.95	82	<1.0	-20...+50	80	SELV	109x40x22	70
D60012NT	220-240	12	600	10-20	0.95	80	<1.0	-20...+50	80	SELV	109x40x22	70
D70012NT	220-240	12	700	9-18	0.95	80	<1.0	-20...+50	80	SELV	109x40x22	70

- Dimmable with leading edge or trailing edge dimmer
- Independent compact design
- Easy press cable lock
- Captured terminal screws
- Wide output voltage extended down to 50%
- High power factor >0.95
- High efficiency
- Protections: opencircuit, shortcircuit, overload, overtemperature
- Simple installation
- SELV class II output
- Smooth dimming compatible with most dimmer
- Dimming range from 1...100%

- 适用普通可控硅前切相或后切相调光器
- 超小体积，独立式紧凑型设计
- 简便自锁式压线盖
- 螺丝锁紧大接线端子，方便多规格线接驳
- 50%宽输出电压范围
- 高功率因数>0.95
- 高效率，高可靠性，长寿命
- 输出开路，过载，短路和过温保护
- 安装经济便捷
- SELV和II等级
- 平滑高性能调光，匹配更多的调光器
- 调光范围 1...100%光通量

