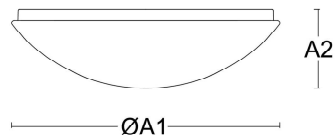
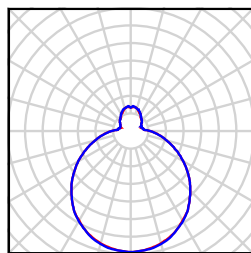


AURA 1,2,3,4,5,9 – LED

Applications: housing constructions (rooms, corridors), cultural premises

Mounting: ceiling or wall

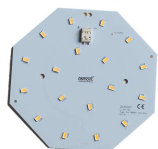


Technical data:

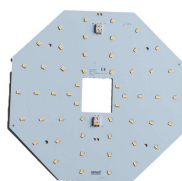
Light source	LED module Osmont L02A	LED module Osmont L11B, L12B, L13B, L14B, 15B, L16B, L43B
Chromaticity temperatures	3000K, 4000K	3000K, 4000K
CRI	3000K Ra>80, 4000K Ra>80	3000K Ra>80, 4000K Ra>80
LED driver	Tridonic 10-42W SELV	Tridonic 10-35W SELV
Energy class	A+	A++
Input voltage	230V	
IP	IP 43	
Fixtures	Sheet steel modified by powder painting	
Shade	Three-layers, hand blown glass - TRIPLEX OPAL with matt surface	
Shade attachment	With two-step clamp holders	



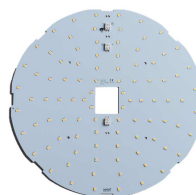
LED module L02A



LED module L11B



LED module L14B



LED module L16B



LED module L43B

LED variants:

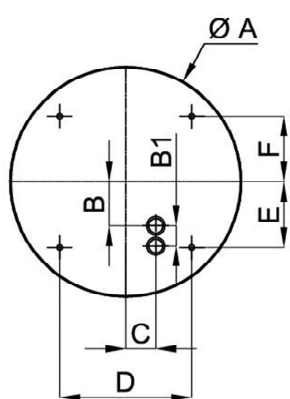
	Type	ØA1xA2 [mm]	Luminous flux of LED modules [lm]		Input [W]	Possibility: Motion sensor (HF)/ Dimmable (1-10V, DALI)
			3000K	4000K		
AURA 1	LED-1L11B07K2/040 .000	220x110	970	1010	8	- / -
	LED-1L11B07K53/042 .000		970	1010	8	- / -
AURA 2	LED-1L12B07K53/042 .000	280x120	1290	1350	11	• / -
	LED-3L02A10K53/042 .000		1970	2110	23	• / •
AURA 3	LED-1L12B07K64/062 .000	350x120	1290	1350	11	• / -
	LED-1L13B07K64/062 .000		1940	2030	15	• / •
	LED-4L02A10K64/062 .000		2630	2810	30	• / •
AURA 4	LED-1L13B07K75/072 .000	420x125	1940	2030	15	• / -
	LED-1L14B07K75/072 .000		2590	2700	20	• / •
	LED-5L02A10K75/072 .000		3280	3510	37	• / •
AURA 5	LED-1L15B07K86/082 .000	490x130	3880	4050	29	• / -
	LED-1L16B07K86/082 .000		4850	5070	36	• / •
	LED-1L16B07K86/082 2/1 .000		2600+2250	2700+2370	36	- / -
AURA 9	LED-1L16B07K98/084 .000	590x140	4850	5070	36	- / •
	LED-2L43B07K98/084 .000		7760	8100	58	- / •
	LED-1L16B07K98/084 2/1 .000		2600+2250	2700+2370	36	- / -
	LED-2L43B07K98/084 2/1 .000		5200+2560	5400+2700	58	- / -

.000 – 3000K or 4000K

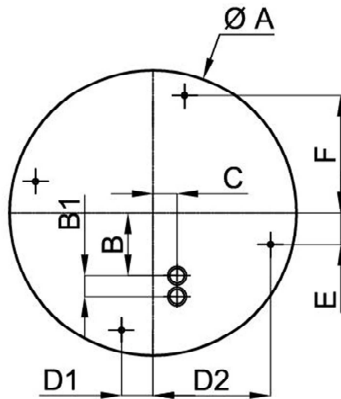
2/1 – two electric circuits

Mounting dimensions for luminaires with LED module L02A:

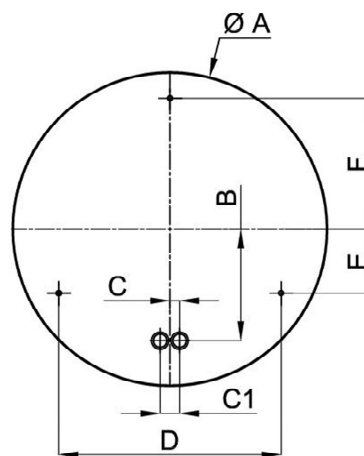
	Ø A [mm]	B [mm]	B1 [mm]	C [mm]	D [mm]	D1 [mm]	D2 [mm]	E [mm]	F [mm]
AURA 1	173	25	20	9	60	-	-	61	61
AURA 2	228	52	20	24	130	-	-	65	65
AURA 3	275	60	20	23	-	30	112	30	112
AURA 4	324	115	20	10	228	-	-	66	135



AURA 1,2



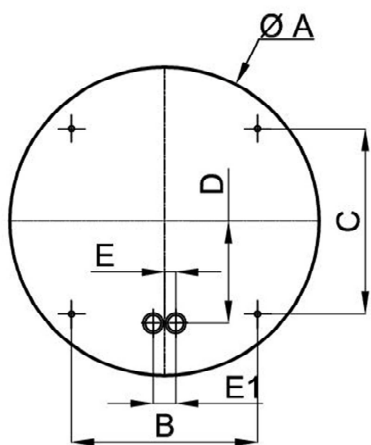
AURA 3



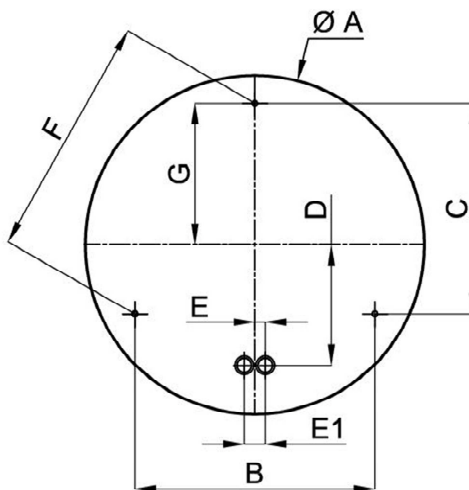
AURA 4

Mounting dimensions for luminaires with LED modules L11B-L43B:

	ØA [mm]	B [mm]	C [mm]	D [mm]	E [mm]	E1 [mm]	F [mm]	G [mm]
AURA 1	173	122	60	65	10	20	-	-
AURA 2	228	130	130	91	0	20	-	-
AURA 3	275	165	165	105	0	20	-	-
AURA 4	324	228	-	118	46	20	231	135
AURA 5	372	220	220	145	10	20	-	-
AURA 9	467	329	-	183	10	20	329	190



AURA 1,2,3,5



AURA 4,9