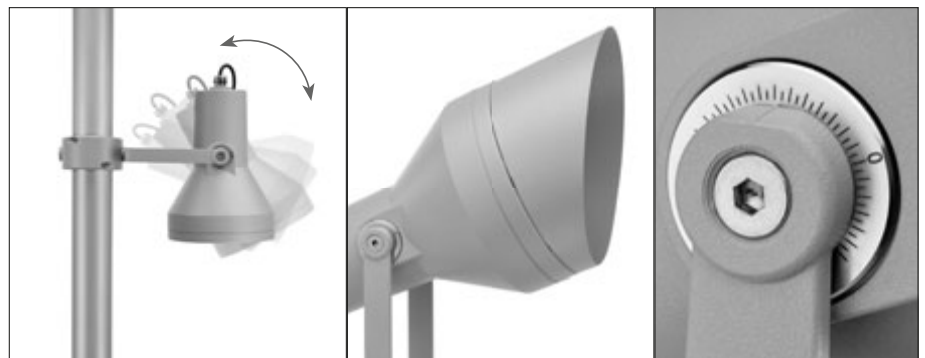
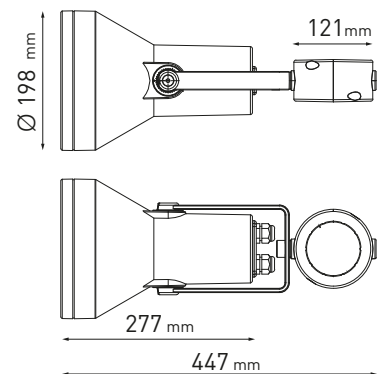


**805004 SINGLE HYDROFLASH POLE MAXI COB LED** NEW

Round pole-mounted floodlight for outdoor installation on a pole diam. 60 mm or 76 mm. Phospho-chromatised and polyester powder coated die-cast copper-free aluminium body, tempered safety glass, moulded silicone gasket and stainless steel screws. Clamp for pole diam 60 mm or 76 mm included. Built-in LED driver 220-240V 50-60Hz, with 1 CREE CXB 2530 COB LED. IP65 rating.

**Energy Label** A++

- Material: high corrosion resistance die-cast copper-free aluminium body
- Coating: polyester powder coating with phosphochromating pre-finish
- NR. 1 CREE CXB 2530 LED
- Electronic transformer 220/240V 50/60Hz included
- Stainless steel screws
- Silicone rubber gasket
- Tempered safety glass.
- Double nickel-plated brass cable gland PG11
- 3 mt. neoprene power cable included



AC-027 - ANTI-GLARE VISOR FOR HYDROFLASH MEDIUM

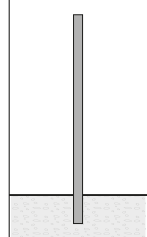
GRADUATED STAINLESS STEEL INSERT

	LIGHT SOURCE	LED COLOR*	LIGHT BEAM OPTIONS	LUMEN OUTPUT (lm)	LUMINOUS EFFICACY (lm/w)	COLORS OPTIONS
36 WATT 220-240V 50-60HZ ELECTRONIC IP65 4,00 KG UNIT GROSS WEIGHT	COB LED	3.000°K WARM-WHITE	35°	3.100	86.10	<input type="checkbox"/> TEXTURED GREY <input type="checkbox"/> MATT WHITE (ON REQUEST) <input type="checkbox"/> MATT BLACK (ON REQUEST)

**POLES & ACCESSORIES**

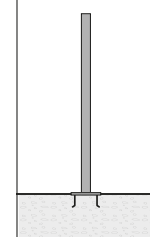
Full technical details of poles and accessories for poles are available at the end of the catalogue

**BURIED POLES**



CODE	HEIGHT MM.
809901	3.500
809902	4.500
809903	5.500
809908	ACC.

**POLES WITH BASE-PLATE**



CODE	HEIGHT MM.
809904	3.000
809905	4.000
809906	5.000
809907	ACC.
809908	ACC.