

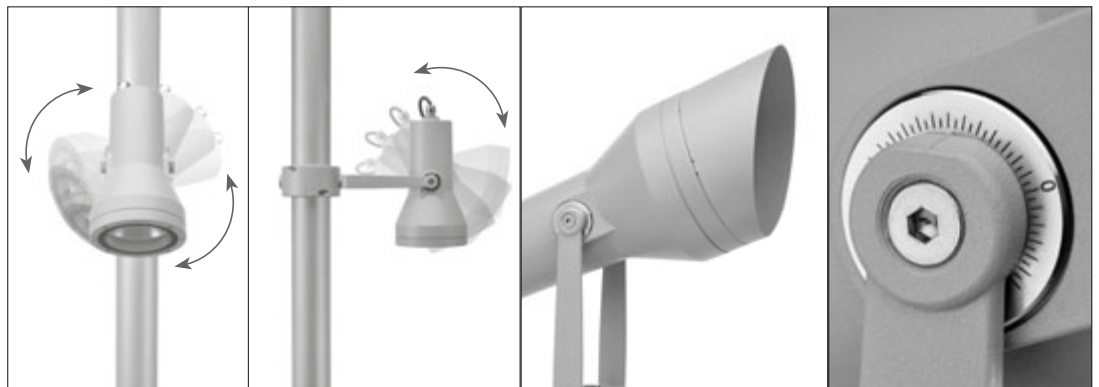
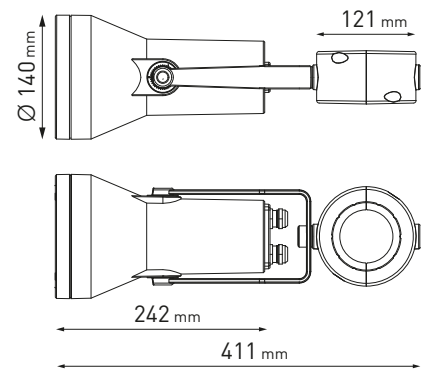
805002 SINGLE HYDROFLASH POLE MEDIUM COB LED



Round pole-mounted floodlight for outdoor installation on a pole diam. 60 mm or 76 mm. Phospho-chromatised and polyester powder coated die-cast copper-free aluminium body, tempered safety glass, moulded silicone gasket and stainless steel screws. Clamp for pole diam 60 mm or 76 mm included. Built-in LED driver 220-240V 50-60Hz, with 1 CREE CXA 1512 COB LED. IP65 rating.

Energy Label A++

- Material: high corrosion resistance die-cast copper-free aluminum body
- Coating: polyester powder coating with phosphochromating pre-finish
- NR. 1 CREE CXA 1512 LED
- Electronic transformer 220/240V 50/60Hz included
- Stainless steel screws
- Silicone rubber gasket
- Tempered safety glass.
- Double nickel-plated brass cable gland PG11
- 3 mt. neoprene power cable included



AC-026 - ANTI-GLARE VISOR FOR HYDROFLASH MEDIUM

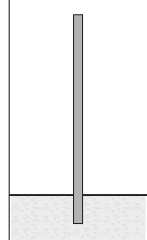
GRADUATED STAINLESS STEEL INSERT

	LIGHT SOURCE	LED COLOR*	LIGHT BEAM OPTIONS	LUMEN OUTPUT (lm)	LUMINOUS EFFICACY (lm/w)	COLORS OPTIONS
18 WATT 220-240V 50-60HZ ELECTRONIC IP65 3,00 KG UNIT GROSS WEIGHT	COB LED	3.000°K WARM-WHITE	35°	1.530	85.00	<input type="checkbox"/> TEXTURED GREY <input type="checkbox"/> MATT WHITE (ON REQUEST) <input type="checkbox"/> MATT BLACK (ON REQUEST)

POLES & ACCESSORIES

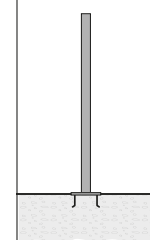
Full technical details of poles and accessories for poles are available at the end of the catalogue

BURIED POLES



CODE	HEIGHT MM.
809901	3.500
809902	4.500
809903	5.500
809908	ACC.

POLES WITH BASE-PLATE



CODE	HEIGHT MM.
809904	3.000
809905	4.000
809906	5.000
809907	ACC.
809908	ACC.